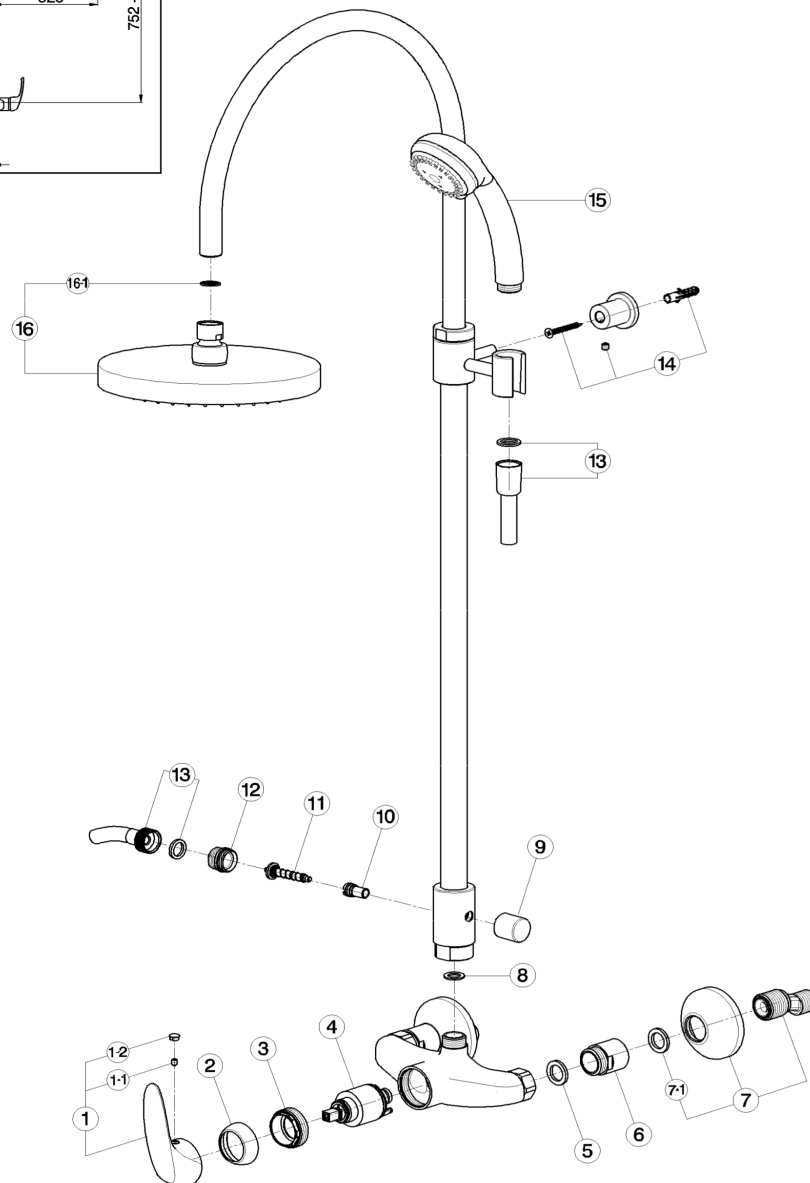
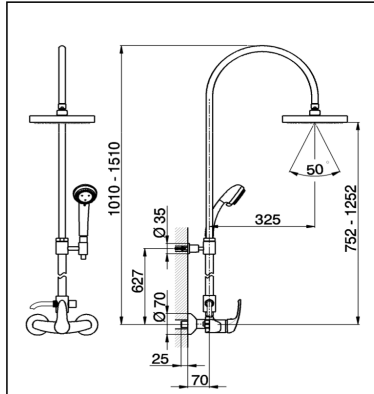


2-functions Single lever shower set SHOWER COLUMNS_FL004050

cisal

FL 00405 0

da Febbraio 2009 - from February 2009
ab Februar 2009 - de Février 2009



FL004050

<https://en.cisal.it/2-functions-single-lever-shower-set-shower-columns-fl004050>

2-functions Single lever shower set SHOWER COLUMNS_FL004050

cisal

FL 00405 0

 da Febbraio 2009 - from February 2009
 ab Februar 2009 - de Février 2009

NR.	DESCRIZIONE DESCRIPTION BESCREIBUNG DESCRIPTION	N.CODICE CODE NO. WERSKNR. NR.CODE	NR.	DESCRIZIONE DESCRIPTION BESCREIBUNG DESCRIPTION	N.CODICE CODE NO. WERSKNR. NR.CODE	NR.	DESCRIZIONE DESCRIPTION BESCREIBUNG DESCRIPTION	N.CODICE CODE NO. WERSKNR. NR.CODE
1	Leva monoc.FL Levier "FL" Lever "FL" Hebel "FL"	ZZ940780	7	Eccentrico con rosone Excentrique + rosace Excentric connection with escutcheon S - Anschluss m.Rosette	ZZ928480	14	Set installazione asta doccia Set installation colonne de douche Installation set for sliding bar Installationsset für Wandstange	ZZ949870
1-1	Grano punta coppa inox M.5x6 Vis speciale inox M.5x6 Screw-stainless steel M.5x6 Madenschraube M.5x6	ZZ940630	7-1	Guarnizione NBR 90 SH. 24x16x2,7 Joint NBR 90 SH. 24x16x2,7 Gasket NBR 90 SH. 24x16x2,7 Dichtung NBR 90 SH. 24x16x2,7	ZZ926890	15	Doccia zeus Douchette Zeus Handshower Zeus Handbrause Zeus	DS014170
1-2	Placchetta per leva Plaquelette levier Cap for lever Abdeckkappe fuer Hebel	ZZ927100	8	Guarnizione fibra 18,5x11x2 Joint en fibre 18,5x11x2 Gasket rubber 18,5x11x2 Fiberdichtung 18,5x11x2	ZZ927140	16	Soffione doccia Pomme de douche Headshower Kopfbrause	DS016130
2	Copricartuccia senza ideogrammi Couvre-cartouche sans ideogramme Escutcheon catridge without ideogram Abdeckkappe ohne Ideogramm	ZZ940650	9	Pomolo per deviazione Pommeau pour inverseur Knob for diverter Zugknopf Umsteller	ZZ933290	16-1	Guarnizione fibra 18,5x11x2 Joint en fibre 18,5x11x2 Gasket rubber 18,5x11x2 Fiberdichtung 18,5x11x2	ZZ927140
3	Calotta bloccaggio cartuccia Ecrou pour cartouche Nut for mixing valve Mutter f/kartusche	ZZ940660	10	Corpo deviazione automatica Corps inverseur automatique Body for athomatic diverter Körper für automatische Umstellung	ZZ949860			
4	Cartuccia monocomando Cartouche miligeurs Mixing valve Kartusche	ZZ940340	11	Asta deviazione completa Tige inverseur compète Complete diverting rod Umstellung	ZZ933140			
5	Guarnizione NBR 90 SH. 24x16x2,7 Joint NBR 90 SH. 24x16x2,7 Gasket NBR 90 SH. 24x16x2,7 Dichtung NBR 90 SH. 24x16x2,7	ZZ926890	12	Raccord flex Flexible connection Flex Anschluss	ZZ931410			
6	Prolunga per gruppo doccia Rallonge pour mélangeur douche Extension for shower mixer Verlängerungsset für Brausebatterie	ZZ946030	13	Flex PVC Ø 14x150 c/conico 1/2"x 1/2" Flex PVC Ø 14x150 raccord conique 1/2" PVC hose Ø 14x150 1/2"x 1/2" PVC Schlauch Ø14x150 1/2"x 1/2" Konus	ZA009021			

FL004050

<https://en.cisal.it/2-functions-single-lever-shower-set-shower-columns-fl004050>

2026-05-17