

Sink mixer KITCHEN_BQ000531



MODEL **BQ000531**

Sink mixer, swivel spout, G.3/8" stainless steel flexible hoses

AVAILABLE FINISHINGS

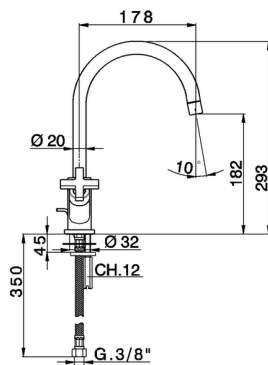


21 21 Chrome



2A 2A Satin Brushed Nickel

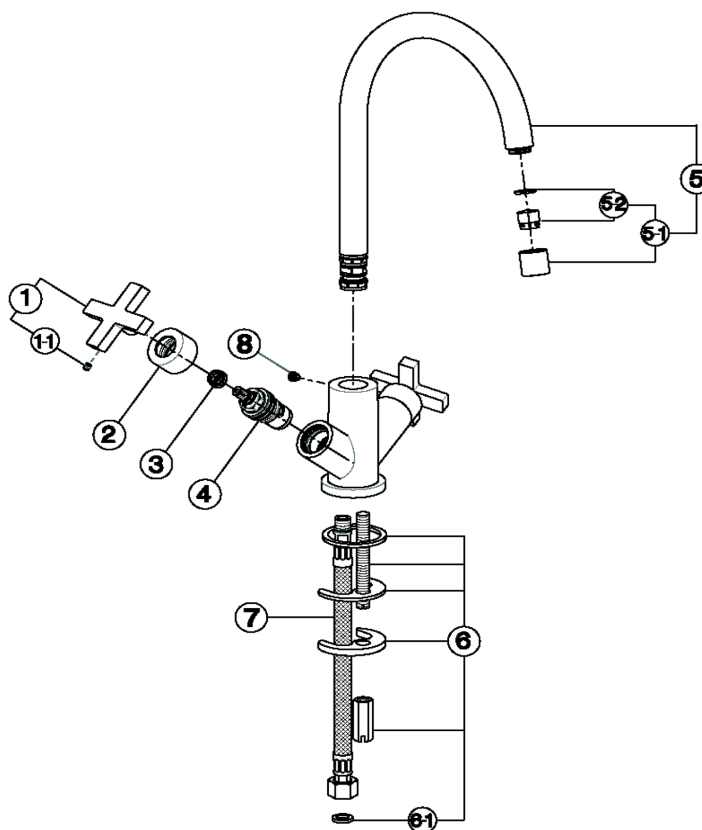
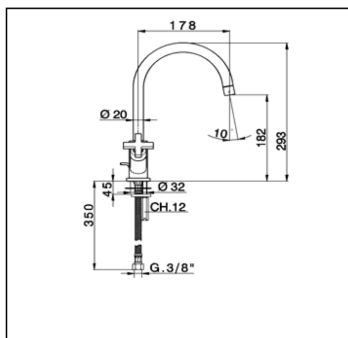
CHARACTERISTICS



Sink mixer KITCHEN_BQ000531

cisal

BQ 00053 1



NR.	DESCRIZIONE DESCRIPTION BESCHREIBUNG DESCRIPTION	N.CODICE CODE NO. WERSKNR. NR.CODE	NR.	DESCRIZIONE DESCRIPTION BESCHREIBUNG DESCRIPTION	N.CODICE CODE NO. WERSKNR. NR.CODE	NR.	DESCRIZIONE DESCRIPTION BESCHREIBUNG DESCRIPTION	N.CODICE CODE NO. WERSKNR. NR.CODE
1	Maniglia "BQ" per monofori Handle "BQ" for single hole mixer Griff "BQ" f/Einloch-Batterien Croisillon "BQ" pour mélangeur monotrou Grano punta piana inox M.4x4	ZZ945990	5-1	Aeratore M16x1 D20 Mousseur M16x1 D20 Perlator M16x1 D20 Mousseur M16x1 D20	ZZ946500			
1-1	Screw-stainless steel M.4x4 Madenschraube M.4x4 Vis speciale inox M.4x4	ZZ933280	5-2	Cart.aerat.M16x1 Mousseur cartridge M16x1 Kart.f/Perlator M16x1 Cartouche x mousseur M16x1	ZZ944100			
2	Cappuccio coprivitone "BA" Escutcheon "BA" Abdeckkappe "BA" Rosace couvre-tête "BA"	ZZ933270	6	Set installazione monoc.monoforo Installation set single hole Befestigungsset Set installation	ZZ928990			
3	Riduzione brocciata completa Complete broached reduction piece Verkuerzung Raewerkzeug komplett Reduction avec brochage complète	ZZ933300	6-1	Guarnizione fibra 3/8" Gasket rubber 3/8" Fiberdichtung 3/8" Joint en fibre 3/8"	ZZ926960			
4	Vitone ceramico 1/2" DX 90° Ceramic headvalve 1/2" right 90° Keramikoberteil 1/2" - rechts - 90° Tête céram. 1/2" droite 90°	ZZ929070	7	Flessibile M.11x1 3/8" F L.365 Flex M.11x1 3/8" L.365 Anschluss Schlauch M.11x1 3/8" L.365 Flex M.11x1 3/8" L.365	ZZ928420			
5	Canna alta Ø20 interasse 178 Swinging spout 178 Ø20 Auslauf-Rohr-U-178-Ø20 Bec orientable 178 Ø20	ZZ946510						

BQ000531

<https://en.cisal.it/sink-mixer-kitchen-bq000531>

2026-04-09