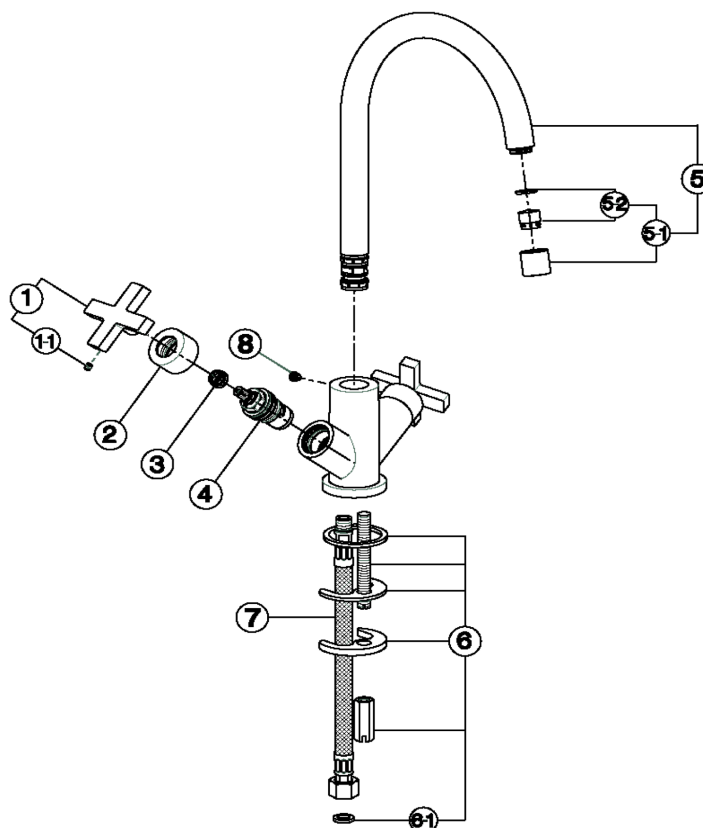
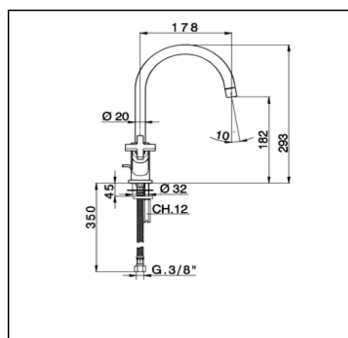


## Sink mixer KITCHEN\_BQ000531

# cisal

### BQ 00053 1



| NR. | DESCRIZIONE<br>DESCRIPTION<br>BESCHREIBUNG<br>DESCRIPTION                                                                                    | N.CODICE<br>CODE NO.<br>WERSKNR.<br>NR.CODE | NR. | DESCRIZIONE<br>DESCRIPTION<br>BESCHREIBUNG<br>DESCRIPTION                                                                  | N.CODICE<br>CODE NO.<br>WERSKNR.<br>NR.CODE | NR. | DESCRIZIONE<br>DESCRIPTION<br>BESCHREIBUNG<br>DESCRIPTION | N.CODICE<br>CODE NO.<br>WERSKNR.<br>NR.CODE |
|-----|----------------------------------------------------------------------------------------------------------------------------------------------|---------------------------------------------|-----|----------------------------------------------------------------------------------------------------------------------------|---------------------------------------------|-----|-----------------------------------------------------------|---------------------------------------------|
| 1   | Maniglia "BQ" per monofori<br>Handle "BQ" for single hole mixer<br>Griff "BQ" f/Einloch-Batterien<br>Croisillon "BQ" pour mélangeur monotrou | ZZ945990                                    | 5-1 | Aeratore M16x1 D20<br>Mousseur M16x1 D20<br>Perlator M16x1 D20<br>Mousseur M16x1 D20                                       | ZZ946500                                    |     |                                                           |                                             |
| 1-1 | Grano punta piana inox M.4x4<br>Screw-stainless steel M.4x4<br>Madenschraube M.4x4<br>Vis speciale inox M.4x4                                | ZZ933280                                    | 5-2 | Cart.aerat.M16x1<br>Mousseur cartridge M16x1<br>Kart.f/Perlator M16x1<br>Cartouche x mousseur M16x1                        | ZZ944100                                    |     |                                                           |                                             |
| 2   | Cappuccio coprivitone "BA"<br>Escutcheon "BA"<br>Abdeckkappe "BA"<br>Rosace couvre-tête "BA"                                                 | ZZ933270                                    | 6   | Set installazione monoc.monoforo<br>Installation set single hole<br>Befestigungsset<br>Set installation                    | ZZ928990                                    |     |                                                           |                                             |
| 3   | Riduzione brocciata completa<br>Complete broached reduction piece<br>Verkuerzung Raewerkzeug komplett<br>Reduction avec brochage complète    | ZZ933300                                    | 6-1 | Guarnizione fibra 3/8"<br>Gasket rubber 3/8"<br>Fiberdichtung 3/8"<br>Joint en fibre 3/8"                                  | ZZ926960                                    |     |                                                           |                                             |
| 4   | Vitone ceramico 1/2" DX 90°<br>Ceramic headvalve 1/2" right 90°<br>Keramikoberteil 1/2" - rechts - 90°<br>Tête céram. 1/2" droite 90°        | ZZ929070                                    | 7   | Flessibile M.11x1 3/8" F.L.365<br>Flex M.11x1 3/8" L.365<br>Anschluss Schlauch M.11x1 3/8" L.365<br>Flex M.11x1 3/8" L.365 | ZZ928420                                    |     |                                                           |                                             |
| 5   | Canna alta Ø20 interasse 178<br>Swinging spout 178 Ø20<br>Auslauf-Rohr-U-178-Ø20<br>Bec orientable 178 Ø20                                   | ZZ946510                                    |     |                                                                                                                            |                                             |     |                                                           |                                             |

BQ000531

<https://en.cisal.it/sink-mixer-kitchen-bq000531>

2026-06-13