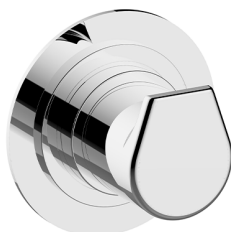





## Stopvalve exposed part ROCK&ROLL\_RK003310

MODEL **RK003310**

Stopvalve exposed part, without concealed part, for item ZA003330



### AVAILABLE FINISHINGS

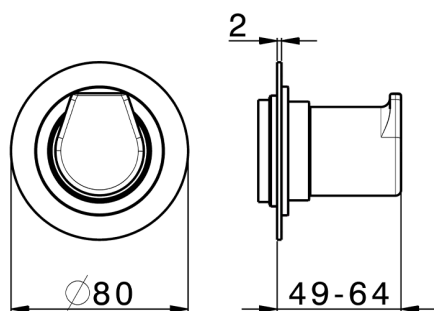
-  **21** 21 Chrome
-  **2F** 2F Brushed Nickel
-  **40** 40 Matt Black

### CHARACTERISTICS

Installation **Concealed**

Required concealed parts **ZA003340**

**ZA003330**



## 1/2 Stopvalve concealed part CONCEALED\_ZA003340

MODEL **ZA003340**

1/2" Stopvalve concealed part, opening counterclockwise

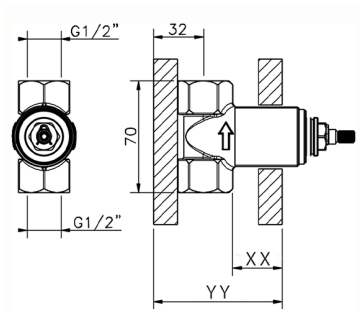


AVAILABLE FINISHINGS



CHARACTERISTICS

Concealed **1**



Piastra/Plate/Plaque/Platte/Placa  
 2-3mm: XX 31-46 YY 80-95  
 10mm: XX 25-40 YY 76-91



## 3/4 Stopvalve concealed part CONCEALED\_ZA003330

MODEL **ZA003330**

3/4" Stopvalve concealed part, opening counterclockwise



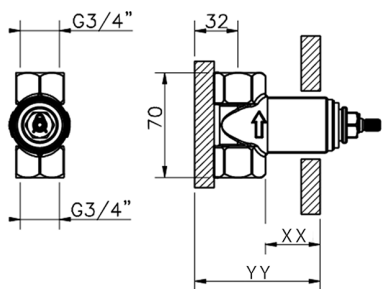
AVAILABLE FINISHINGS



**04** 04 Without finishing

CHARACTERISTICS

Concealed **1**



Piastra/Plate/Plaque/Platte/Placa

2-3mm: XX 31-46 YY 80-95

10mm: XX 25-40 YY 76-91



2026-04-24