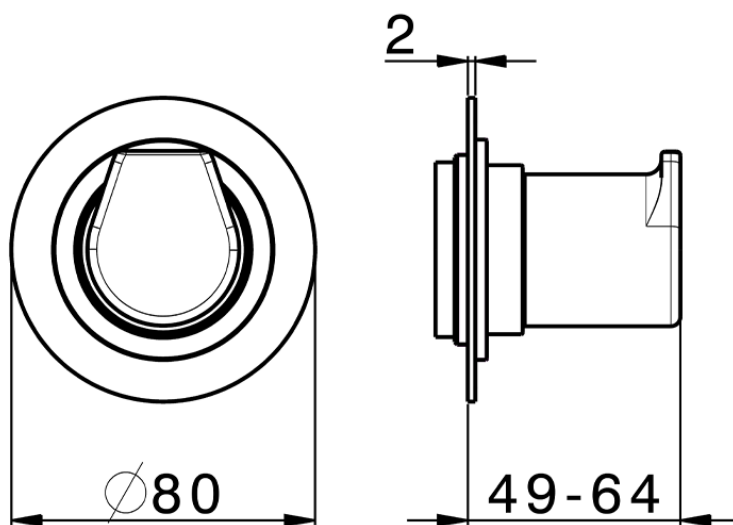
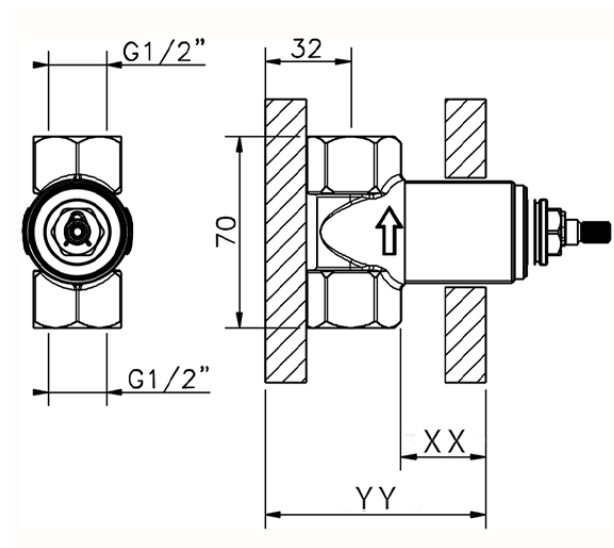


Stopvalve exposed part ROCK&ROLL_RK003310



RK003310

<https://en.cisal.it/stopvalve-exposed-part-rockroll-rk003310>



Piastra/Plate/Plaque/Platte/Placa
 2-3mm: XX 31-46 YY 80-95
 10mm: XX 25-40 YY 76-91

ZA003340

<https://en.cisal.it/1-2-stopvalve-concealed-part-concealed-za003340>



Piastra/Plate/Plaque/Platte/Placa
 2-3mm: XX 31-46 YY 80-95
 10mm: XX 25-40 YY 76-91