

Single lever washbasin mixer FLASH_FL000512



MODEL **FL000512**

Single lever washbasin mixer, with automatic 1"1/4 automatic pop-up waste, G.3/8" stainless steel flexible hoses

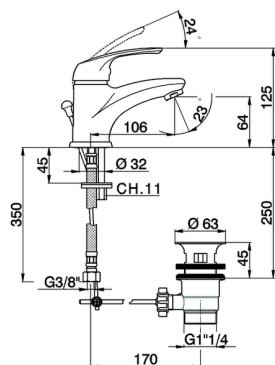
AVAILABLE FINISHINGS



CHARACTERISTICS

Cartridge Spare Parts **ZZ94034000**

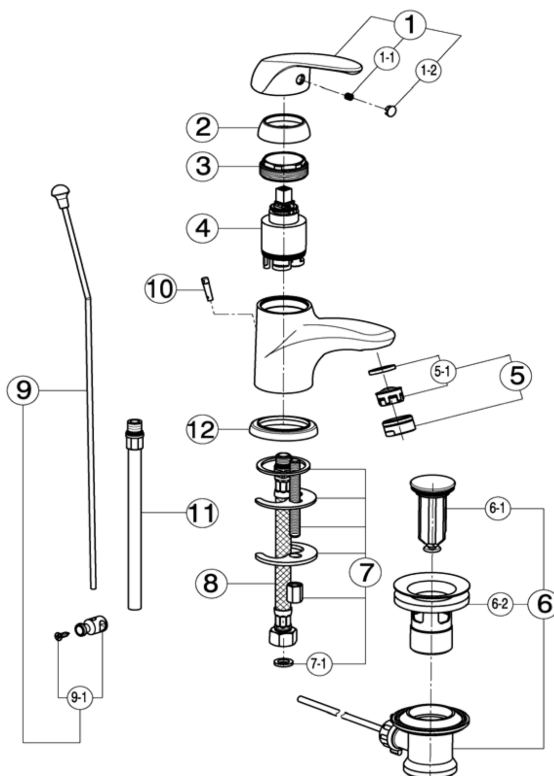
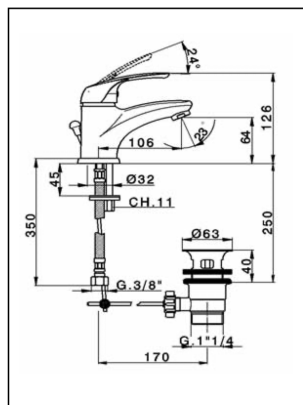
35 mm Cartridge



Single lever washbasin mixer FLASH_FL000512

cisal

FL 00051 2



| NR. | DESCRIZIONE DESCRIPTION BESCHREIBUNG DESCRIPTION | N.CODICE CODE NO. WERSKNR. NR.CODE | NR. | DESCRIZIONE DESCRIPTION BESCHREIBUNG DESCRIPTION | N.CODICE CODE NO. WERSKNR. NR.CODE | NR. | DESCRIZIONE DESCRIPTION BESCHREIBUNG DESCRIPTION | N.CODICE CODE NO. WERSKNR. NR.CODE |
|-----|--|---|-----|--|---|-----|---|---|
| 1 | Leva monoc.FL Lever "FL" Hebel "FL" Levier "FL" | zz940780 | 5-1 | Cartuccia per aeratore M. 24x1 Mousseur cartridge M.24x1 Kart. f/Perlator M.24x1 Cartouche x mousseur M.24x1 | ZZ926950 | 9 | Astina scarico completa Ø4 Rod Ø4 Zugstange Ø4 Tige Ø4 | ZZ940730 |
| 1-1 | Grano punta coppa inox M.5x6 Screw-stainless steel M.5x6 Madenschraube M.5x6 Vis speciale inox M.5x6 | zz940630 | 6 | Scarico automatico 1" 1/4 sabbiato Pop-up waste 1" 1/4 Ablaufgarnitur 1" 1/4 Vidage automat. 1"1/4 | ZZ929600 | 9-1 | Morsetto astina scarico automatico Connection for pop-up rod Gelenkstück f/Zugstange Jonction x tige vidage | ZZ933430 |
| 1-2 | Piacchetta per leva Cap for lever Abdeckkappe f/Hebel Plaquette levier | zz927100 | 6-1 | Tappo completo scarico aut. 1" 1/4 Plug for pop-up waste 1" 1/4 Stopfen f/Ablaufg. kpl 1" 1/4 Bonde - vidage 1"1/4 | ZZ929250 | 10 | Tappino portacatenella Plug for chain Stopfen f/Kettenhalter Bonde pour chaînette | ZZ927170 |
| 2 | Copricartuccia senza ideogrammi Escutcheon cartridge without ideogram Abdeckkappe ohne Ideogramm Couvre-cartouche sans ideogramme Calotta bloccaggio cartuccia | zz940650 | 7 | Piletta per scarico automatico 1" 1/4 Waste for bath drain 1" 1/4 Ablauf f/Ablaufgarnitur 1" 1/4 Crépine pour vidage 1" 1/4 | ZZ929240 | 11 | Set installazione monoc.monoforo Tubetto monoforo "SU" con O.R. Tube with O.R. "SU" Anschlussrohr mit O.R. "SU" Tube "SU" avec O.R. | ZZ928380 |
| 3 | Nut for mixing valve Mutter f/kartusche Ecrou pour cartouche | ZZ940660 | 7-1 | Guarnizione fibra 3/8" Gasket rubber 3/8" Fiberdichtung 3/8" Joint en fibre 3/8" | ZZ926960 | 12 | Basetta per monocomando Assembling ring for single lever mixer Basis fuer Einhebelmischer Bague pour mitigeur | ZA006040 |
| 4 | Cartuccia monocomando Mixing valve Kartusche Cartouche mitigeurs | ZZ940340 | 8 | Aeratore M.24x1 IA Perlator M.24x1 IA Mousseur M.24x1 IA | ZZ928420 | | | |
| 5 | Mousseur M.24x1 IA Perlator M.24x1 IA Mousseur M.24x1 IA | ZZ928380 | | Flexibile M.11x1 3/8" L.365 Flex M.11x1 3/8" L.365 Anschluss Schlauch M.11x1 3/8" L.365 Flex M.11x1 3/8" L.365 | | | | |

FL000512

<https://en.cisal.it/single-lever-washbasin-mixer-flash-fl000512>

2026-04-10