





## Single lever sink mixer with reclined spout KITCHEN\_AY001530

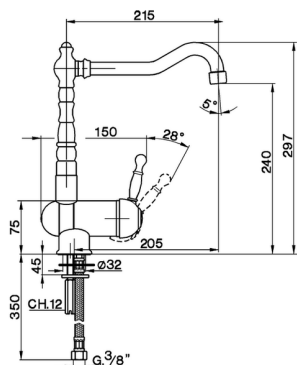


MODEL **AY001530**

Single lever sink mixer with reclined spout, swivel spout, G.3/8" stainless steel flexible hose

### AVAILABLE FINISHINGS

-  **21** 21 Chrome
-  **26** 26 Old Copper
-  **27** 27 Old Bronze
-  **2A** 2A Satin Brushed Nickel



### CHARACTERISTICS

Cartridge Spare Parts **ZZ92909000**

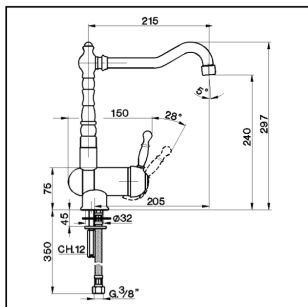
**43 mm Cartridge**



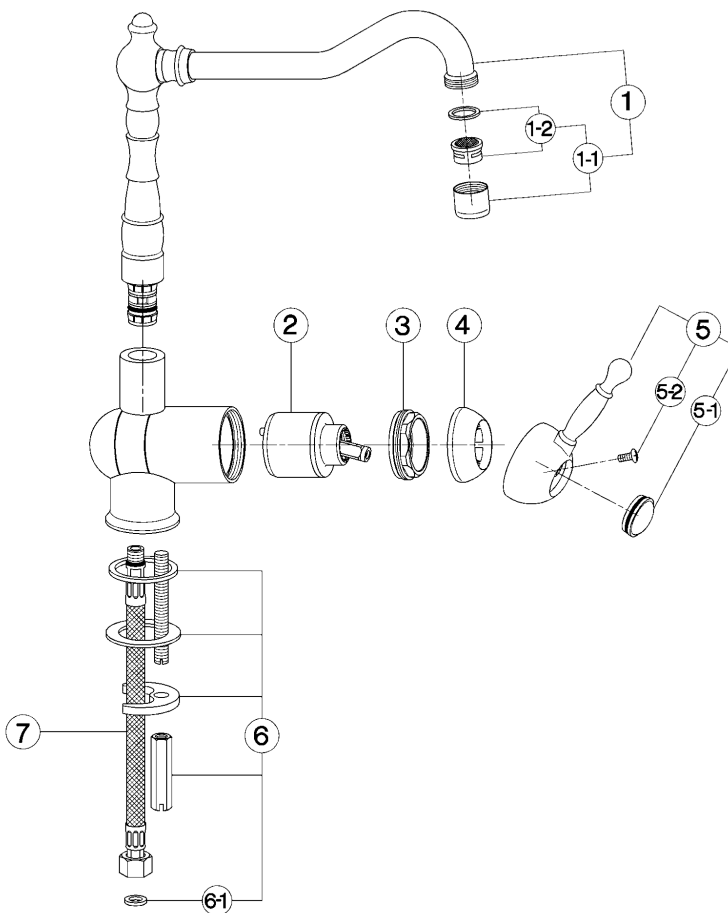
## Single lever sink mixer with reclined spout KITCHEN\_AY001530

### cisal

### AY 00153



- Monocomando livello
- Single lever sink mixer
- Einhand-Spültschbatterie
- Mitigeur évier



| bar | PORTATA BOCCA DI EROGAZIONE *<br>SPOUT FLOW RATE<br>DURCHFLOSS WANNENEINLAUF<br>DEBIT BEC DEVERSEUR<br>l/min. |
|-----|---|
| 0.5 | 5   |
| 1   | 7   |
| 2   | 10  |
| 3   | 12  |
| 4   | 14  |
| 5   | 15.5  |

\* con resistenza silenziosa della classe di portata A (15 l/min. a 3 bar)  
with hydraulic resistance of flow rate class A (15 l/min. at 3 bar)  
mit geräuscharmen Widerstand der Durchflussklasse A (15 l/min. bei 3 bar)  
avec aérateur classe A (15 l/min. à 3 bar)

| NR. | DESCRIZIONE<br>DESCRIPTION<br>BESCHREIBUNG<br>DESCRIPTION   | N. CODICE<br>CODE NO.<br>WERKSNR.<br>NR. CODE | NR. | DESCRIZIONE<br>DESCRIPTION<br>BESCHREIBUNG<br>DESCRIPTION   | N. CODICE<br>CODE NO.<br>WERKSNR.<br>NR. CODE | NR. | DESCRIZIONE<br>DESCRIPTION<br>BESCHREIBUNG<br>DESCRIPTION | N. CODICE<br>CODE NO.<br>WERKSNR.<br>NR. CODE |
|-----|---|---|-----|---|---|-----|---|---|
| 1   | Canna alta "RE" per monocomando<br>Spout "RE" for single lever mixer<br>Auslauf-Rohr-U-"RE" 1/EHM<br>Bec "RE" pour mitigeur                           | ZZ 93027 0                                    | 5   | Leva monocomando "AY"<br>Lever "AY"<br>Hebel "AY"<br>Levier "AY"  | ZZ 90370 0                                    |     |   |   |
| 1-1 | Aeratore M.22x1 IA Cascade<br>Mousseur M.22x1 IA Cascade<br>Perlator M.22x1 IA Cascade<br>Mousseur M.22x1 IA Cascade                                  | ZZ 93345 0                                    | 5-1 | Placchetta per leva "AY"<br>Cap for lever "AY"<br>Abdeckkappe 1/Hebel "AY"<br>Plaquelette levier "AY"                     | ZZ 93048 0                                    |     |   |   |
| 1-2 | Cartuccia per aeratore M. 22x1 Cascade<br>Mousseur cartridge M.22x1 Cascade<br>Kart. 1/Perlator M.22x1 Cascade<br>Cartouche x mousseur M.22x1 Cascade | ZZ 93339 0                                    | 5-2 | Vite M.4,5x15 tb. tc.<br>Screw M.4,5x15<br>Schraube M.4,5x15<br>Vis M.4,5x15  | ZZ 92641 0                                    |     |   |   |
| 2   | Cartuccia monocomando piccola<br>Mixing valve - small size<br>Kartusche<br>Cartouche mitigeurs  | ZZ 92909 0                                    | 6   | Set installazione monocomando monotoro<br>Installation set single hole<br>Befestigungssatz<br>Set installation            | ZZ 92851 0                                    |     |   |   |
| 3   | Calotta bloccaggio cartuccia piccola<br>Nut for mixing valve-small<br>Mutter 1/Kartusche<br>Ecrou pour cartouche                                      | ZZ 92603 0                                    | 6-1 | Guarnizione fibra 3/8"<br>Gasket rubber 3/8"<br>Fiberdichtung 3/8"<br>Joint en fibre 3/8"                                 | ZZ 92696 0                                    |     |   |   |
| 4   | Copricartuccia con ideogrammi<br>Escalcheon cartridge with ideogram<br>Abdeckkappe mit Ideogramm<br>Couvre-cartouche avec ideogramme                  | ZZ 92716 0                                    | 7   | Flessibile M.11x1 3/8" F.L.365<br>Flex M.11x1 3/8" L.365<br>Anschlussschlauch M.11x1 3/8" L.365<br>Flex M.11x1 3/8" L.365 | ZZ 92842 0                                    |     |   |   |

AY.9

AY001530

<https://en.cisal.it/single-lever-sink-mixer-with-reclined-spout-kitchen-ay001530>

2026-06-14