

Washbasin mixer TR_TR000540

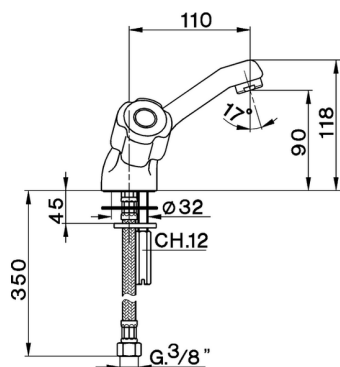
MODEL **TR000540**

Washbasin mixer, without automatic pop-up waste, G.3/8" stainless steel flexible hoses, without handles

AVAILABLE FINISHINGS



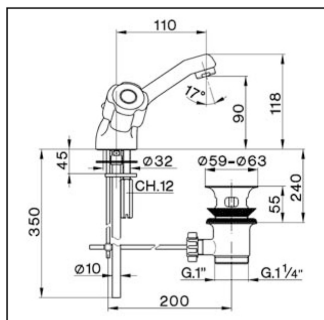
CHARACTERISTICS



Washbasin mixer TR_TR000540

cisal

TR 00051 (TR 00054)



- Monoforo lavabo
- Single hole basin mixer
- Waschtisch-Einlochbatterie
- Mélangeur monotrou lavabo

bar	PORTATA BOCCA DI EROGAZIONE * SPOUT FLOW RATE DURCHFLOSS WANNENEINLAUF DÉBIT BEC DÉVERSEUR l/min.
0.5	6.5
1	8.5
2	12.5
3	15
4	17
5	19

* con rompigetto
with antispash
mit Strahlregler
avec brise-jet

NR.	DESCRIZIONE DESCRIPTION BESCHREIBUNG DESCRIPTION	N. CODICE CODE NO. WERKSNR. NR. CODE	NR.	DESCRIZIONE DESCRIPTION BESCHREIBUNG DESCRIPTION	N. CODICE CODE NO. WERKSNR. NR. CODE	NR.	DESCRIZIONE DESCRIPTION BESCHREIBUNG DESCRIPTION	N. CODICE CODE NO. WERKSNR. NR. CODE
1	Vitone 1/2" "TR" Headvalve 1/2" "TR" Oberteile 1/2" "TR" Tête 1/2" "TR"	ZZ 92869 0	3	Scarico automatico 1" 1/4 sabbaiato Pop-up waste 1" 1/4 Ablaufgarnitur 1" 1/4 Vidage automat. 1" 1/4	ZZ 92960 0	5	Set installazione monocomando monoforo Installation set single hole Befestigungsset Set installation	ZZ 92851 0
1-1	Guarnizione NBR 90 SH. 16.9x5.5x5 Gasket NBR 90 SH. 16.9x5.5x5 Dichtung NBR 90 SH. 16.9x5.5x5 Joint NBR 90 SH. 16.9x5.5x5	ZZ 92699 0	3-1	Tappo completo scarico automatico 1" 1/4 Plug for pop-up waste 1" 1/4 Stopten f/Ablaufg. kpl 1" 1/4 Bonde - vidage 1" 1/4	ZZ 92925 0	5-1	Guarnizione fibra 3/8" Gasket rubber 3/8" Fiberdichtung 3/8" Joint en fibre 3/8"	ZZ 92696 0
1-2	Vite M.4x4.5 lb. Ø8 t.cr. Screw M.4x4.5 Schraube M.4x4.5 Vis M.4x4.5	ZZ 92625 0	3-2	Piletta per scarico automatico 1" 1/4 Waste for bath drain 1" 1/4 Ablauf f/Ablaufgarnitur 1" 1/4 Crépine pour vidage 1" 1/4	ZZ 92924 0	6	Tubetto monoforo "SU" con O.R. Tube with O.R. "SU" Anschlussrohr mit O.R. "SU" Tube "SU" avec O.R.	ZZ 92838 0
2	Rompigetto M.24x1 Antispash M.24x1 Strahlregler M.24x1 Brise-jet M.24x1	ZZ 92770 0	4	Astina scarico completa Ø4 Rod Ø4 Zugstange Ø4 Tige Ø4	ZZ 90722 0	7	Tappino portacatenella Plug for chain Stopten f/Kettenhalter Bonde pour chaînette	ZZ 92717 0
3	Scarico automatico 1" sabbaiato Pop-up waste 1" Ablaufgarnitur 1" Vidage automat. 1"	ZZ 92738 0	4-1	Pomolo per scarico automatico Knob for pop-up rod Zugknopf Ablaufgarn. Pommeau - tige	ZZ 92644 0	8	Flessibile M.11x1 3/8" L.365 Flex M.11x1 3/8" L.365 Anschlussschlauch M.11x1 3/8" L.365 Flex M.11x1 3/8" L.365	ZZ 92842 0
3-1	Tappo completo scarico automatico 1" Plug-pop up 1" Stopten f/Ablaufg.kpl 1" Bonde - vidage 1"	ZZ 92938 0	4-2	Morsetto astina scarico automatico Ø6.2 Connection for pop-up rod Ø6.2 Gelenkstueck f/Zugstange Ø6.2 Jonction x tige vidage Ø6.2	ZZ 92622 0			

TR000540_{TR.9}

<https://en.cisal.it/washbasin-mixer-tr-tr000540>

2025-01-02