

Towel holder BATHROOM ACCESSORIES_AE090102

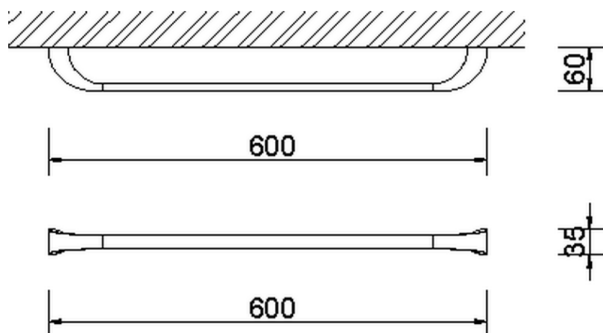
MODEL **AE090102**

Towel holder

AVAILABLE FINISHINGS



CHARACTERISTICS



2026-06-05