


3/4 Stopvalve concealed part CONCEALED_ZA003310

MODEL **ZA003310**

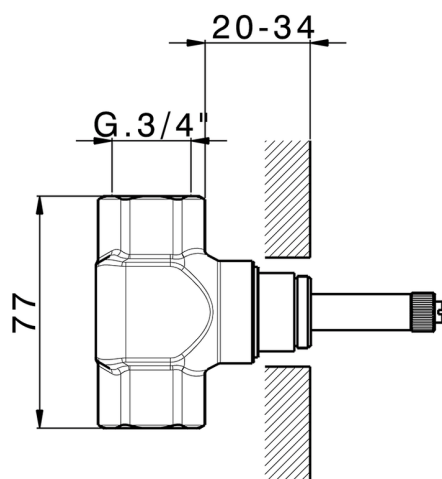
3/4" Stopvalve concealed part, Opening counterclockwise

AVAILABLE FINISHINGS

 **04** 04 Without finishing

CHARACTERISTICS

Concealed **1**



2026-06-13