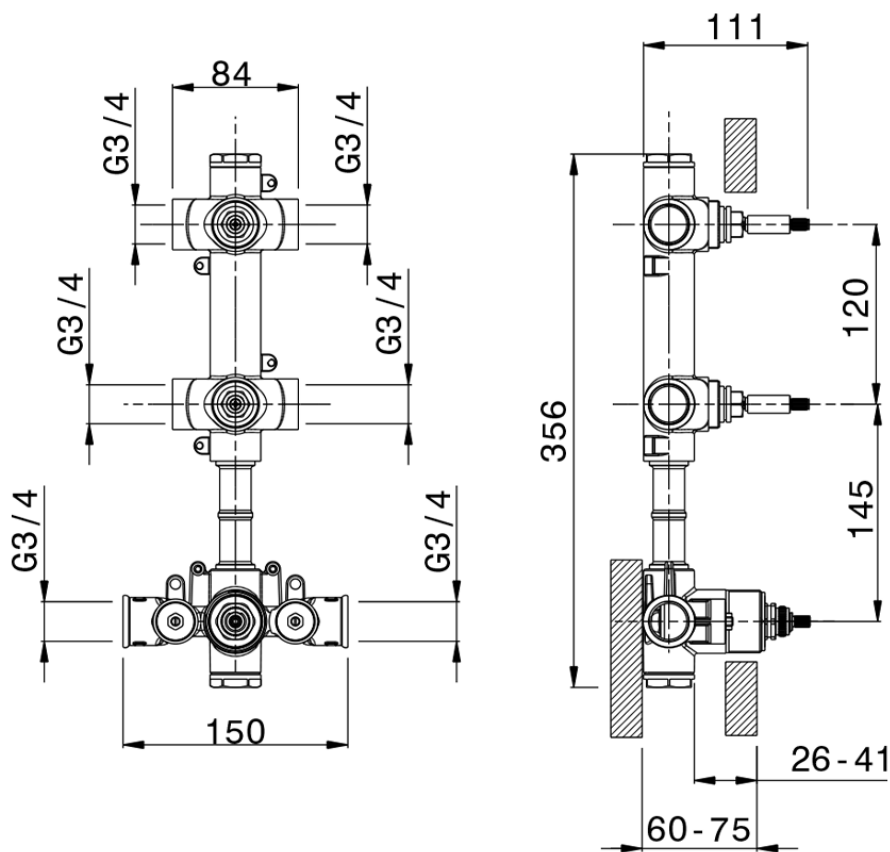


2 Function Concealed Thermostatic Valve CONCEALED_ZA00V200



ZA00V200

<https://en.cisal.it/2-function-concealed-thermostatic-valve-concealed-za00v200>

2026-06-13