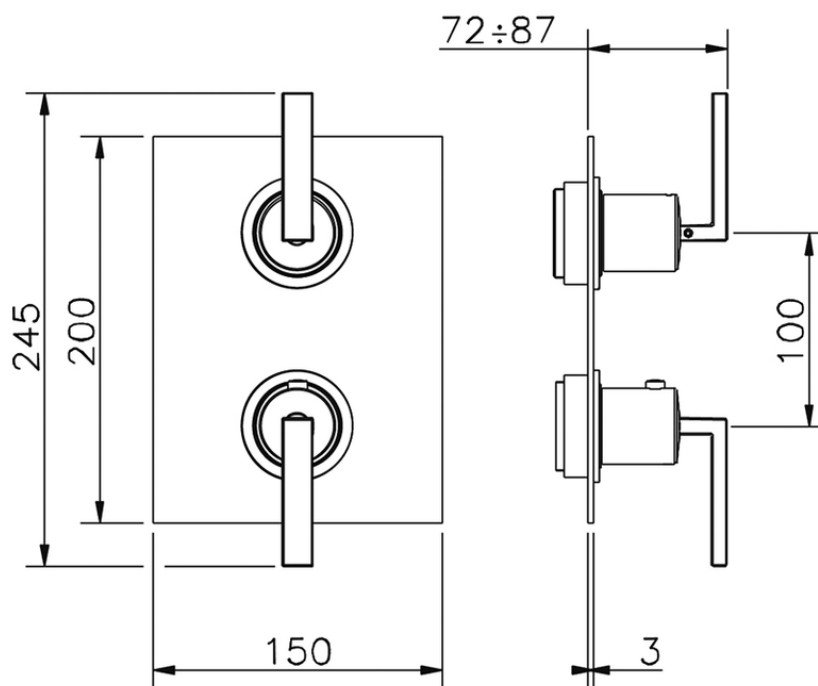
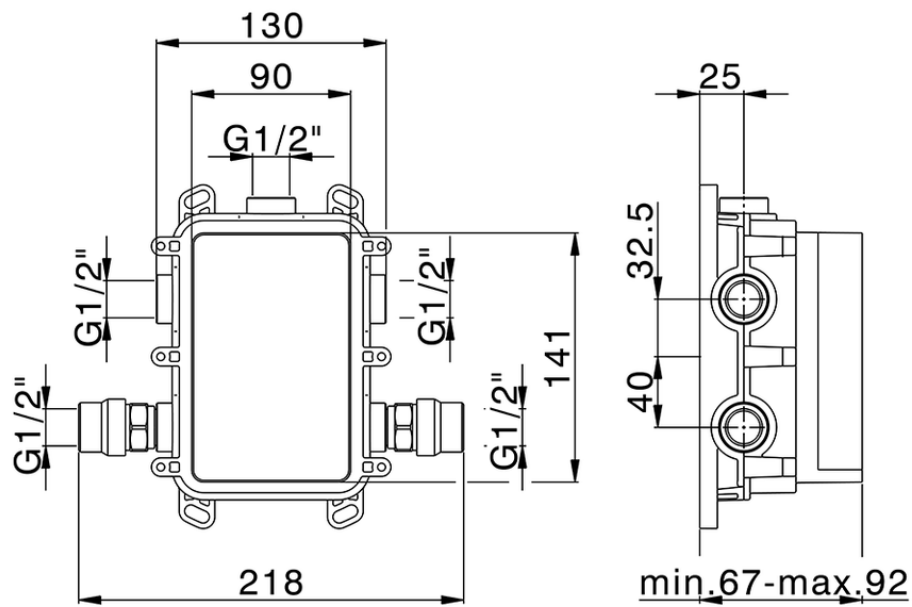


Exposed part for con.thermo.shower mixer, 2-outlet WAVE_WA019100



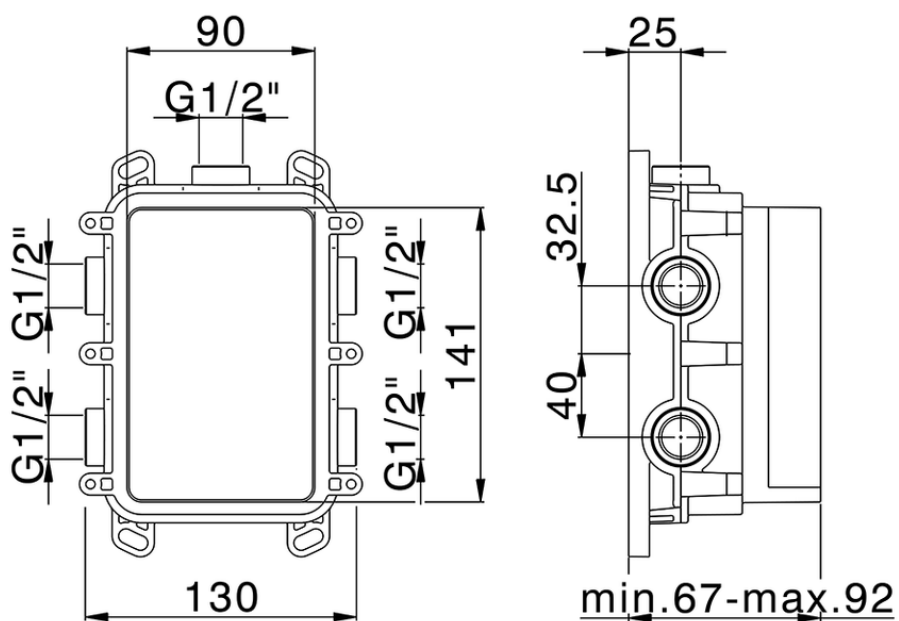
WA019100

<https://en.cisal.it/exposed-part-for-con-thermo-shower-mixer-2-outlet-wave-wa019100>



ZA00B031

<https://en.cisal.it/one-box-universal-concealed-part-one-box-za00b031>



ZA00B030

<https://en.cisal.it/one-box-universal-concealed-part-one-box-za00b030>

2026-06-05