

Bath-shower mixer, 3-functions ARCANA CERAMIC_AC004151

MODEL **AC004151**

Bath-shower mixer, 3-functions, 2 outlet diverter, adjustable riser column, not sliding shower bracket, 53 mm Arcana one spray handshower, 200 mm Brass Round Head Shower, 150 cm Brass Flexible Hose

AVAILABLE FINISHINGS

-  **21** 21 Chrome
-  **24** 24 Gold
-  **26** 26 Old Copper
-  **27** 27 Old Bronze
-  **2A** 2A Satin Brushed Nickel
-  **74** 74 Chrome/Gold



CHARACTERISTICS

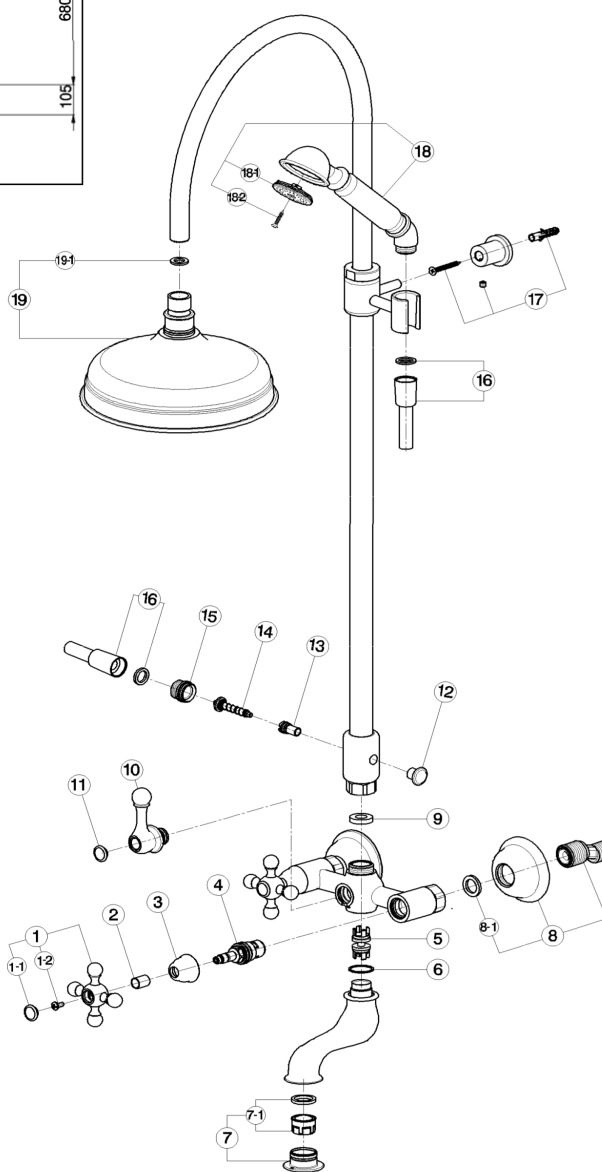
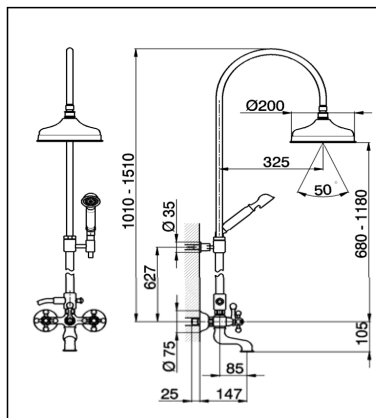


Bath-shower mixer, 3-functions ARCANA CERAMIC_AC004151

cisal

AC 00415 1

da Febbraio 2009 - from February 2009
ab Februar 2009 - de Février 2009



AC004151

<https://en.cisal.it/bath-shower-mixer-3-functions-arcana-ceramic-ac004151>

Bath-shower mixer, 3-functions ARCANA CERAMIC_AC004151

cisal

AC 00415 1

 da Febbraio 2009 - from February 2009
 ab Februar 2009 - de Février 2009

NR.	DESCRIZIONE DESCRIPTION BESCHREIBUNG DESCRIPTION	N.CODICE CODE NO. WERSKNR. NR.CODE	NR.	DESCRIZIONE DESCRIPTION BESCHREIBUNG DESCRIPTION	N.CODICE CODE NO. WERSKNR. NR.CODE	NR.	DESCRIZIONE DESCRIPTION BESCHREIBUNG DESCRIPTION	N.CODICE CODE NO. WERSKNR. NR.CODE
1	Maniglia AR con vite e placchetta Croisillon AR avec vis et plaque Handle AR Griff AR mit Schraube	ZZ903070	7-1	Cartuccia per aeratore M.28x1 Cartouche pour mousseur M.28x1 Mousseur cartridge M.28x1	ZZ926940	15	Attacco flessibile Raccord flex Flexible connection	ZZ931410
1-1	Placchetta a vite maniglia AR Plaque cache vis croisillon AR Cap for handle AR	ZZ926170	8	Kartusche fuer Perlator M.28x1 Eccentrico con rosone "AC" Excentrique + rosace "AC"	ZZ928260	16	Flex Anschluss Flessibile D.14x150 1/2" conico x 1/2" Flexible D.14x150 avec raccord 1/2" Hose D.14x150 1/2"x1/2"	ZA009030
1-2	Abdeckkappe AR Griff Vite M.4,5x10 tb.tc zigrinata Screw M.4,5x10 Schraube M.4,5x10	ZZ926090	8-1	S - Anschluss m.Rosette "AC" Guarnizione NBR 90 SH. 24x16x2,7 Joint NBR 90 SH. 24x16x2,7 Gasket NBR 90 SH. 24x16x2,7	ZZ926890	17	Schlauch D.14x150 1/2" Konus x 1/2" Set installazione asta doccia Set installation colonne de douche Installation set for sliding bar	ZZ949870
2	Tubetto copriasta AR H.15,5 Tube couvre tete AR H.15,5 Sliding cover tube "AR"	ZZ926190	9	Dichtung NBR 90 SH. 24x16x2,7 Guarnizione NBR 90 SH. 24x16x2,7 Joint NBR 90 SH. 24x16x2,7	ZZ926890	18	Installationsset für Wandstange Doccia Arcana Douchette Arcana	DS014110
3	Abdeckkappe Oberteil AR H.15,5 Cappuccio coprivitone Ø32 H.21 AC Rosace couvre tete Ø32 H.21 AC Escutcheon Ø32 H.21 AC headvalve	ZZ926520	10	Dichtung NBR 90 SH. 24x16x2,7 Deviatore gruppo vasca AR Inverseur bain/douche AR	ZZ902570	18-1	Handbrause Arcana Diffusore doccia AR Aerateur douche AR	ZZ905440
4	Abdeckkappe Ø32 H.21 AC Vitone cer. DX per monof. e gruppi AC Tete ceramique 1/2" droite AC Courte Ceramic headvalve 1/2" right AC short	ZZ928580	11	Wannenbatteriumsteller Placchetta a vite maniglia AR Plaque cache vis croisillon AR	ZZ926170	18-2	Zerstaeuber fuer Brause AR Vite di fissaggio diffusore per doccia Vis de fixation diffuseur pour douchette	ZZ934010
5	Cap for handle AR Keramikoberteil 1/2" rechts AC kurz Valvola deviazione per gruppo vasca Tete pour inverseur	ZZ927790	12	Abdeckkappe AR Griff Pomolo per deviazione Pommeau pour inverseur	ZZ933940	19	Fixing screw for spray kit handshower Befestigungsschraube fuer Einsatz Soffione doccia	DS016140
6	Umstellungsventil Guarnizione fibra 26x22,5x1 Joint en fibre 26x22,5x1	ZZ926920	13	Knob for diverter Zugknopf Umsteller Corpo deviazione automatica	ZZ949860	19-1	Kopfbrause Guarnizione fibra 18,5x11x2 Joint en fibre 18,5x11x2	ZZ927140
7	Fiberdichtung 26x22,5x1 Bordino con aeratore M. 28x1 "AR" Garniture avec mousseur M.28x1 "AR"	ZZ927840	14	Körper für automatische Umstellung Asta deviazione completa Tige inverseur compète	ZZ933140		Headshower Kopfbrause	
	Overfill with mousseur M.28x1 "AR" Perlator M.28x1 "AR"			Complete diverting rod Umstellung				

AC004151

<https://en.cisal.it/bath-shower-mixer-3-functions-arcana-ceramic-ac004151>

2026-04-30