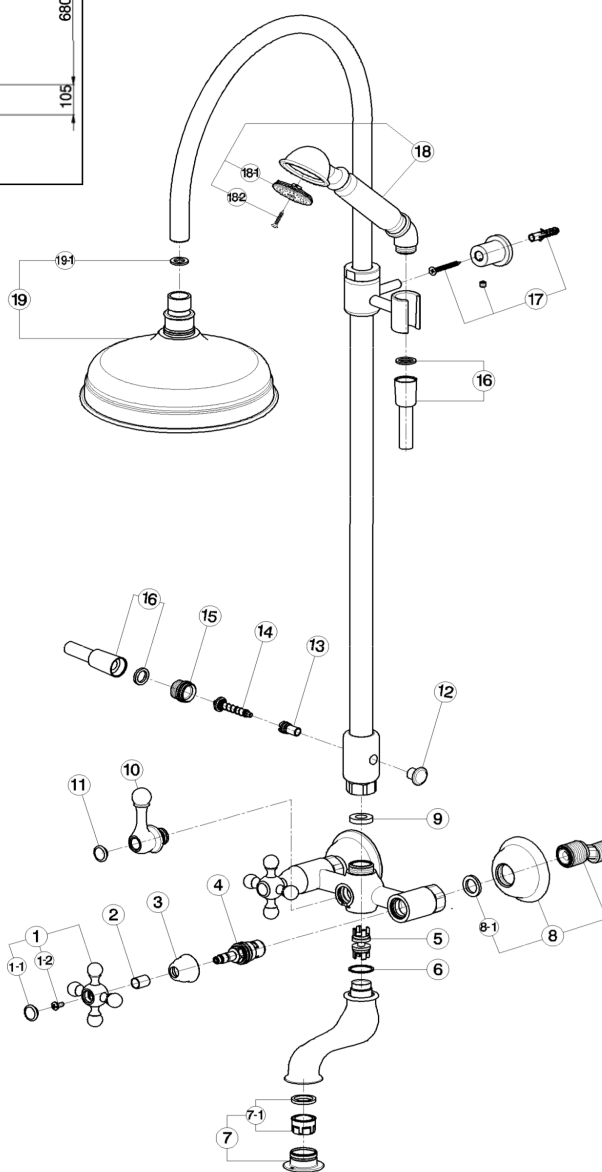
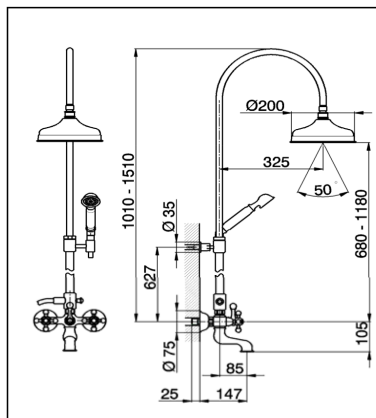


## Bath-shower mixer, 3-functions ARCANA CERAMIC\_AC004151

# cisal

**AC 00415 1**

da Febbraio 2009 - from February 2009  
ab Februar 2009 - de Février 2009



AC004151

<https://en.cisal.it/bath-shower-mixer-3-functions-arcana-ceramic-ac004151>

## Bath-shower mixer, 3-functions ARCANA CERAMIC\_AC004151

# cisal

### AC 00415 1

 da Febbraio 2009 - from February 2009  
 ab Februar 2009 - de Février 2009

NR.	DESCRIZIONE DESCRIPTION BESCHREIBUNG DESCRIPTION	N.CODICE CODE NO. WERSKNR. NR.CODE	NR.	DESCRIZIONE DESCRIPTION BESCHREIBUNG DESCRIPTION	N.CODICE CODE NO. WERSKNR. NR.CODE	NR.	DESCRIZIONE DESCRIPTION BESCHREIBUNG DESCRIPTION	N.CODICE CODE NO. WERSKNR. NR.CODE
1	Maniglia AR con vite e placchetta Croisillon AR avec vis et plaque Handle AR Griff AR mit Schraube	ZZ903070	7-1	Cartuccia per aeratore M.28x1 Cartouche pour mousseur M.28x1 Mousseur cartridge M.28x1	ZZ926940	15	Attacco flessibile Raccord flex Flexible connection	ZZ931410
1-1	Placchetta a vite maniglia AR Plaque cache vis croisillon AR Cap for handle AR	ZZ926170	8	Kartusche fuer Perlator M.28x1 Eccentrico con rosone "AC" Excentrique + rosace "AC"	ZZ928260	16	Flex Anschluss Flessibile D.14x150 1/2" conico x 1/2" Flexible D.14x150 avec raccord 1/2" Hose D.14x150 1/2"x1/2"	ZA009030
1-2	Abdeckkappe AR Griff Vite M.4,5x10 tb.tc zigrinata Screw M.4,5x10 Schraube M.4,5x10	ZZ926090	8-1	S - Anschluss m.Rosette "AC" Guarnizione NBR 90 SH. 24x16x2,7 Joint NBR 90 SH. 24x16x2,7 Gasket NBR 90 SH. 24x16x2,7	ZZ926890	17	Schlauch D.14x150 1/2" Konus x 1/2" Set installazione asta doccia Set installation colonne de douche Installation set for sliding bar	ZZ949870
2	Abdeckkappe Oberteil AR H.15,5 Cappuccio coprivitone Ø32 H.21 AC Rosace couvre tete Ø32 H.21 AC Escutcheon Ø32 H.21 AC headvalve	ZZ926190	9	Dichtung NBR 90 SH. 24x16x2,7 Guarnizione NBR 90 SH. 24x16x2,7 Joint NBR 90 SH. 24x16x2,7 Gasket NBR 90 SH. 24x16x2,7	ZZ926890	18	Set installation colonne de douche Installationset für Wandstange Doccia Arcana Douchette Arcana Arcana handshower	DS014110
3	Abdeckkappe Ø32 H.21 AC Cappuccio coprivitone Ø32 H.21 AC Rosace couvre tete Ø32 H.21 AC Escutcheon Ø32 H.21 AC headvalve	ZZ926520	10	Dichtung NBR 90 SH. 24x16x2,7 Deviatore gruppo vasca AR Inverseur bain/douche AR Diverter AR	ZZ902570	18-1	Handbrause Arcana Diffusore doccia AR Aerateur douche AR Aerator for showers AR	ZZ905440
4	Abdeckkappe Ø32 H.21 AC Vitone cer. DX per monof. e gruppi AC Tete ceramique 1/2" droite AC Courte Ceramic headvalve 1/2" right AC short Keramikoberteil 1/2" rechts AC kurz	ZZ928580	11	Wannenbatteriumsteller Placchetta a vite maniglia AR Plaque cache vis croisillon AR Cap for handle AR Abdeckkappe AR Griff	ZZ926170	18-2	Zerstaeuber fuer Brause AR Vite di fissaggio diffusore per doccia Vis de fixation diffuseur pour douchette Fixing screw for spray kit handshower	ZZ934010
5	Valvola deviazione per gruppo vasca Tete pour inverseur Diverting valve for bath mixer Umstellungsventil	ZZ927790	12	Pomolo per deviazione Pommeau pour inverseur Knob for diverter Zugknopf Umsteller	ZZ933940	19	Befestigungsschraube fuer Einsatz Soffione doccia Pomme de douche Headshower	DS016140
6	Guarnizione fibra 26x22,5x1 Joint en fibre 26x22,5x1 Gasket rubber 26x22,5x1 Fiberdichtung 26x22,5x1	ZZ926920	13	Corpo deviazione automatica Corps inverseur automatique Body for automatic diverter Körper für automatische Umstellung	ZZ949860	19-1	Kopfbrause Guarnizione fibra 18,5x11x2 Joint en fibre 18,5x11x2 Gasket rubber 18,5x11x2 Fiberdichtung 18,5x11x2	ZZ927140
7	Bordino con aeratore M. 28x1 "AR" Garniture avec mousseur M.28x1 "AR" Overfill with mousseur M.28x1 "AR" Perlator M.28x1 "AR"	ZZ927840	14	Asta deviazione completa Tige inverseur compète Complete diverting rod Umstellung	ZZ933140			

AC004151

<https://en.cisal.it/bath-shower-mixer-3-functions-arcana-ceramic-ac004151>

2026-05-20