

Xion shower set XION_DS010630

MODEL **DS010630**

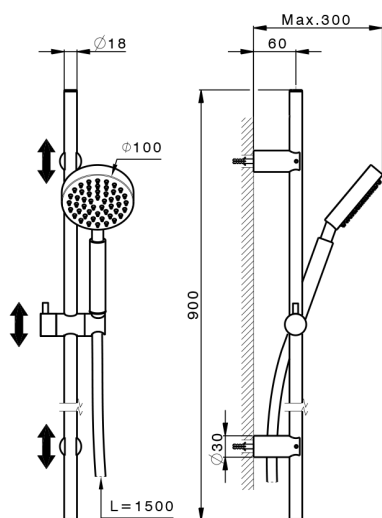
Xion shower set, 90 cm sliding bar with sliding bracket, extraLarge one spray handshower, 150 cm Stainless Steel flexible hose, Inox AISI 316L

AVAILABLE FINISHINGS



D1 D1 Brushed Inox

CHARACTERISTICS



2026-06-09