

Washbasin mixer TR_TR000540

MODEL **TR000540**

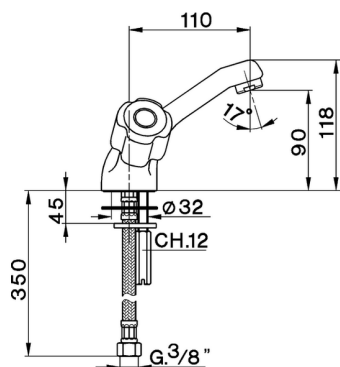
Washbasin mixer, without automatic pop-up waste, G.3/8" stainless steel flexible hoses, without handles



AVAILABLE FINISHINGS



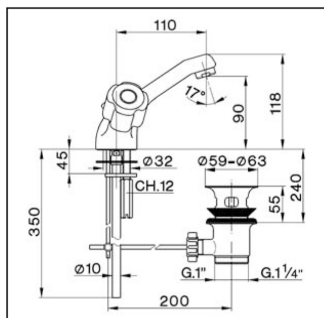
CHARACTERISTICS



Washbasin mixer TR_TR000540

cisal

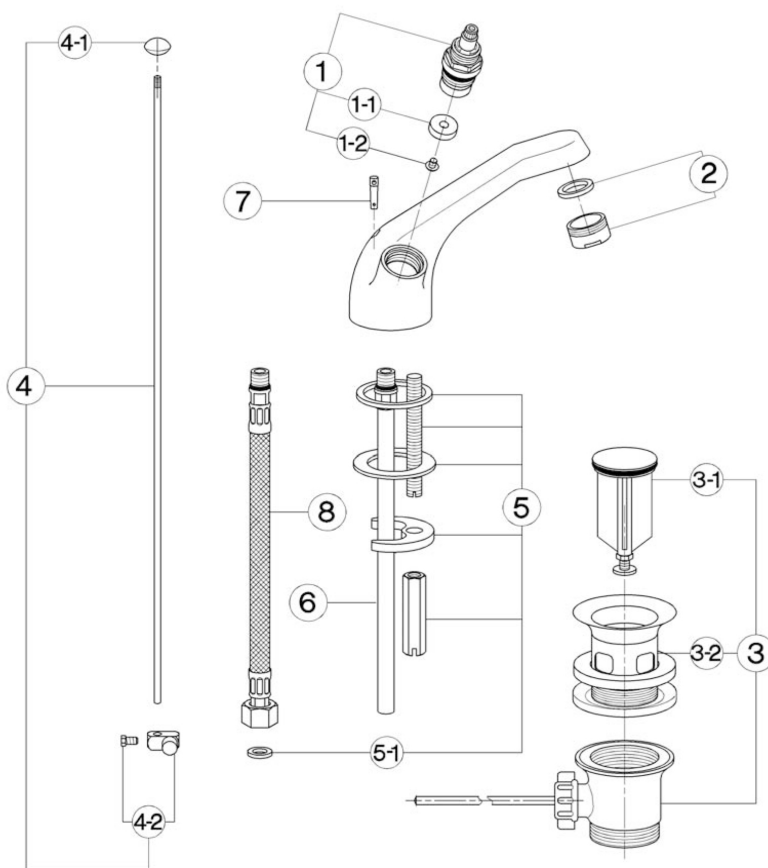
TR 00051 (TR 00054)



- Monoforo lavabo
- Single hole basin mixer
- Waschtisch-Einlochbatterie
- Mélangeur monotrou lavabo

bar	PORTATA BOCCA DI EROGAZIONE * SPOUT FLOW RATE DURCHFLOß WANNENEINLAUF DÉBIT BEC DÉVERSEUR l/min.
0.5	6.5
1	8.5
2	12.5
3	15
4	17
5	19

* con rompigetto
with antispash
mit Strahlregler
avec brise-jet



NR.	DESCRIZIONE DESCRIPTION BESCHREIBUNG DESCRIPTION	N. CODICE CODE NO. WERKSNR. NR. CODE
1	Vitone 1/2" "TR" Headvalve 1/2" "TR" Oberteile 1/2" "TR" Tête 1/2" "TR"	ZZ 92869 0
1-1	Guarnizione NBR 90 SH. 16,9x5,5x5 Gasket NBR 90 SH. 16,9x5,5x5 Dichtung NBR 90 SH. 16,9x5,5x5 Joint NBR 90 SH. 16,9x5,5x5	ZZ 92699 0
1-2	Vite M.4x4,5 lb. Ø8 t.cr. Screw M.4x4,5 Schraube M.4x4,5 Vis M.4x4,5	ZZ 92625 0
2	Rompigetto M.24x1 Antispash M.24x1 Strahlregler M.24x1 Brise-jet M.24x1	ZZ 92770 0
3	Scarico automatico 1" sabbaiato Pop-up waste 1" Ablaufgarnitur 1" Vidage automat. 1"	ZZ 92738 0
3-1	Tappo completo scarico automatico 1" Plug-pop up 1" Stopten f/Ablaufg.kpl 1" Bonde - vidage 1"	ZZ 92938 0

NR.	DESCRIZIONE DESCRIPTION BESCHREIBUNG DESCRIPTION	N. CODICE CODE NO. WERKSNR. NR. CODE
3	Scarico automatico 1" 1/4 sabbaiato Pop-up waste 1" 1/4 Ablaufgarnitur 1" 1/4 Vidage automat. 1" 1/4	ZZ 92960 0
3-1	Tappo completo scarico automatico 1" 1/4 Plug for pop-up waste 1" 1/4 Stopten f/Ablaufg. kpl 1" 1/4 Bonde - vidage 1" 1/4	ZZ 92925 0
3-2	Piletta per scarico automatico 1" 1/4 Waste for bath drain 1" 1/4 Ablauf f/Ablaufgarnitur 1" 1/4 Crépine pour vidage 1" 1/4	ZZ 92924 0
4	Astina scarico completa Ø4 Rod Ø4 Zugstange Ø4 Tige Ø4	ZZ 90722 0
4-1	Pomolo per scarico automatico Knob for pop-up rod Zugknopf Ablaufgarn. Pommeau - tige	ZZ 92644 0
4-2	Morsetto astina scarico automatico Ø6,2 Connection for pop-up rod Ø6,2 Gelenkstueck f/Zugstange Ø6,2 Jonction x tige vidage Ø6,2	ZZ 92622 0

NR.	DESCRIZIONE DESCRIPTION BESCHREIBUNG DESCRIPTION	N. CODICE CODE NO. WERKSNR. NR. CODE
5	Set installazione monocomando monoforo Installation set single hole Befestigungsset Set installation	ZZ 92851 0
5-1	Guarnizione fibra 3/8" Gasket rubber 3/8" Fiberichtung 3/8" Joint en fibre 3/8"	ZZ 92696 0
6	Tubetto monoforo "SU" con O.R. Tube with O.R. "SU" Anschlussrohr mit O.R. "SU" Tube "SU" avec O.R.	ZZ 92838 0
7	Tappino portacatenella Plug for chain Stopten f/Kettenhalter Bonde pour chaînette	ZZ 92717 0
8	Flessibile M.11x1 3/8" L.365 Flex M.11x1 3/8" L.365 Anschlussschlauch M.11x1 3/8" L.365 Flex M.11x1 3/8" L.365	ZZ 92842 0

TR000540_{TR.9}

<https://en.cisal.it/washbasin-mixer-tr-tr000540>

2026-06-13