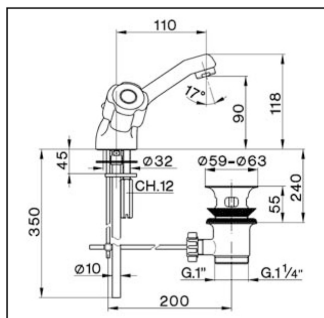


Washbasin mixer TR_TR000540

cisal

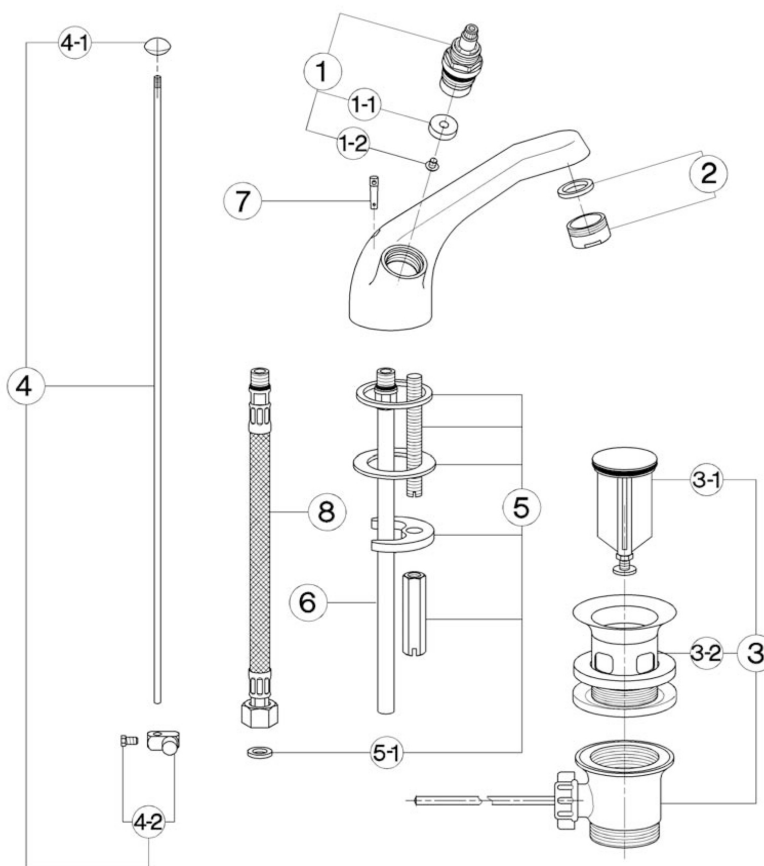
TR 00051 (TR 00054)



- Monoforo lavabo
- Single hole basin mixer
- Waschtisch-Einlochbatterie
- Mélangeur monotrou lavabo

| bar | PORTATA BOCCA DI EROGAZIONE * SPOUT FLOW RATE DURCHFLOß WANNENEINLAUF DEBIT BEC DÉVERSEUR l/min. |
|-----|--|
| 0.5 | 6.5 |
| 1 | 8.5 |
| 2 | 12.5 |
| 3 | 15 |
| 4 | 17 |
| 5 | 19 |

* con rompigetto
with antispash
mit Strahlregler
avec brise-jet



| NR. | DESCRIZIONE DESCRIPTION BESCHREIBUNG DESCRIPTION | N. CODICE CODE NO. WERKSNR. NR. CODE | NR. | DESCRIZIONE DESCRIPTION BESCHREIBUNG DESCRIPTION | N. CODICE CODE NO. WERKSNR. NR. CODE | NR. | DESCRIZIONE DESCRIPTION BESCHREIBUNG DESCRIPTION | N. CODICE CODE NO. WERKSNR. NR. CODE |
|-----|--|---|-----|---|---|-----|---|---|
| 1 | Vitone 1/2" "TR" Headvalve 1/2" "TR" Oberteile 1/2" "TR" Tête 1/2" "TR" | ZZ 92869 0 | 3 | Scarico automatico 1" 1/4 sabbaiato Pop-up waste 1" 1/4 Ablaufgarnitur 1" 1/4 Vidage automat. 1" 1/4 | ZZ 92960 0 | 5 | Set installazione monocomando monoforo Installation set single hole Befestigungsset Set installation | ZZ 92851 0 |
| 1-1 | Guarnizione NBR 90 SH. 16.9x5.5x5 Gasket NBR 90 SH. 16.9x5.5x5 Dichtung NBR 90 SH. 16.9x5.5x5 Joint NBR 90 SH. 16.9x5.5x5 | ZZ 92699 0 | 3-1 | Tappo completo scarico automatico 1" 1/4 Plug for pop-up waste 1" 1/4 Stopten f/Ablaufg. kpl 1" 1/4 Bonde - vidage 1" 1/4 | ZZ 92925 0 | 5-1 | Guarnizione fibra 3/8" Gasket rubber 3/8" Fiberdichtung 3/8" Joint en fibre 3/8" | ZZ 92696 0 |
| 1-2 | Vite M.4x4.5 lb. Ø8 t.cr. Screw M.4x4.5 Schraube M.4x4.5 Vis M.4x4.5 | ZZ 92625 0 | 3-2 | Piletta per scarico automatico 1" 1/4 Waste for bath drain 1" 1/4 Ablauf f/Ablaufgarnitur 1" 1/4 Crépine pour vidage 1" 1/4 | ZZ 92924 0 | 6 | Tubetto monoforo "SU" con O.R. Tube with O.R. "SU" Anschlussrohr mit O.R. "SU" Tube "SU" avec O.R. | ZZ 92838 0 |
| 2 | Rompigetto M.24x1 Antispash M.24x1 Strahlregler M.24x1 Brise-jet M.24x1 | ZZ 92770 0 | 4 | Astina scarico completa Ø4 Rod Ø4 Zugstange Ø4 Tige Ø4 | ZZ 90722 0 | 7 | Tappino portacatenella Plug for chain Stopten f/Kettenhalter Bonde pour chaînette | ZZ 92717 0 |
| 3 | Scarico automatico 1" sabbaiato Pop-up waste 1" Ablaufgarnitur 1" Vidage automat. 1" | ZZ 92738 0 | 4-1 | Pomolo per scarico automatico Knob for pop-up rod Zugknopf Ablaufgarn. Pommeau - tige | ZZ 92644 0 | 8 | Flessibile M.11x1 3/8" L.365 Flex M.11x1 3/8" L.365 Anschlussschlauch M.11x1 3/8" L.365 Flex M.11x1 3/8" L.365 | ZZ 92842 0 |
| 3-1 | Tappo completo scarico automatico 1" Plug-pop up 1" Stopten f/Ablaufg.kpl 1" Bonde - vidage 1" | ZZ 92938 0 | 4-2 | Morsetto astina scarico automatico Ø6.2 Connection for pop-up rod Ø6.2 Gelenkstueck f/Zugstange Ø6.2 Jonction x tige vidage Ø6.2 | ZZ 92622 0 | | | |

TR000540_{TR.9}

<https://en.cisal.it/washbasin-mixer-tr-tr000540>

2026-06-14