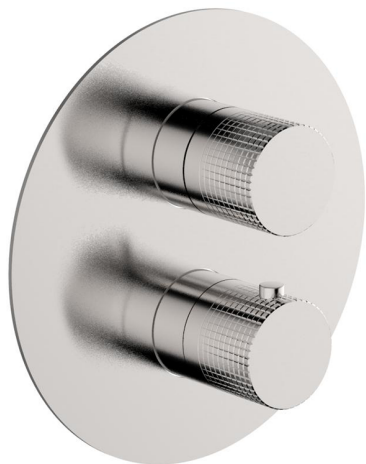


## Exposed part for con.thermo.shower valve, 2-outlet NUANCE X32\_X1018100

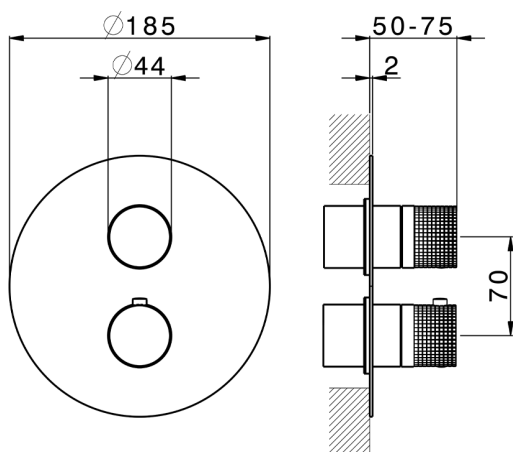
MODEL **X1018100**

Exposed part for con.thermo.shower valve, 2-outlet, with 2 outlet deviasstop, without concealed part, for item ZA018101, Inox AISI 316L



### AVAILABLE FINISHINGS

-  **D1** D1 Brushed Inox
-  **5H** 5H Dark Brass Brushed
-  **5L** 5L Brushed Black Titanium
-  **5N** 5N Brushed Rose Gold



### CHARACTERISTICS

Installation **Concealed**  
 Required concealed parts **ZA018101**



### Thermostatic

The Cisal thermostatic is your personal water manager, helping you to handle, control and save water and energy.





## Concealed thermostatic shower valve, 2-outlets CONCEALED\_ZA018101

MODEL **ZA018101**

Concealed thermostatic shower valve, 2-outlets, with 1/2" 2 outlet devia stop cartridge, without trim kit

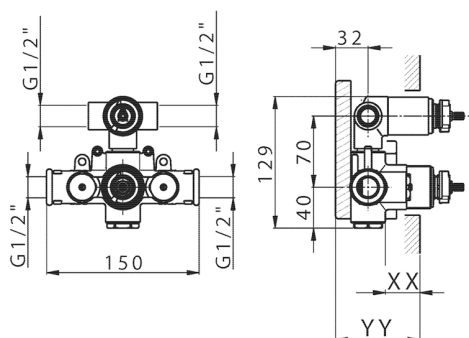


AVAILABLE FINISHINGS



CHARACTERISTICS

Concealed **1**  
 Cartridge Spare Parts **24.04A.PP**  
**8x20 Plus P Thermostatic Valve**



Piastra/Plate/Plaque/Platte/Placa

2-3mm: XX 25-40 YY 76-91

10 mm: XX 16-31 YY 65-80



### DeviaStop

The Cisal Devia Stop technology allows to adjust the water flow and to direct it to the selected output point (overhead soaker, hand shower, etc).



### Thermostatic

The Cisal thermostatic is your personal water manager, helping you to handle, control and save water and energy.



2026-06-13