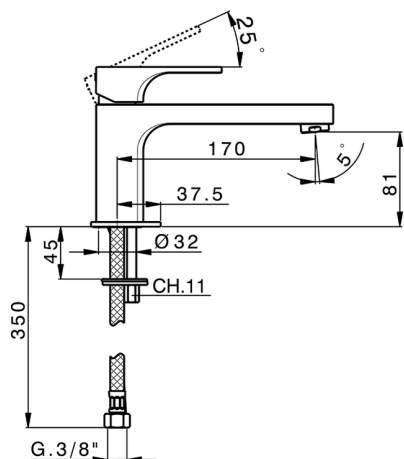






Single lever washbasin mixer EnergySave CUBIC_CU001545



MODEL **CU001545**

Single lever washbasin mixer EnergySave, without automatic pop-up waste, G.3/8" stainless steel flexible hoses

AVAILABLE FINISHINGS

-  **21** 21 Chrome
-  **2B** 2B Polished Nickel
-  **2F** 2F Brushed Nickel
-  **40** 40 Matt Black

CHARACTERISTICS

Cartridge Spare Parts **ZZ96691000**

25 mm Cartridge

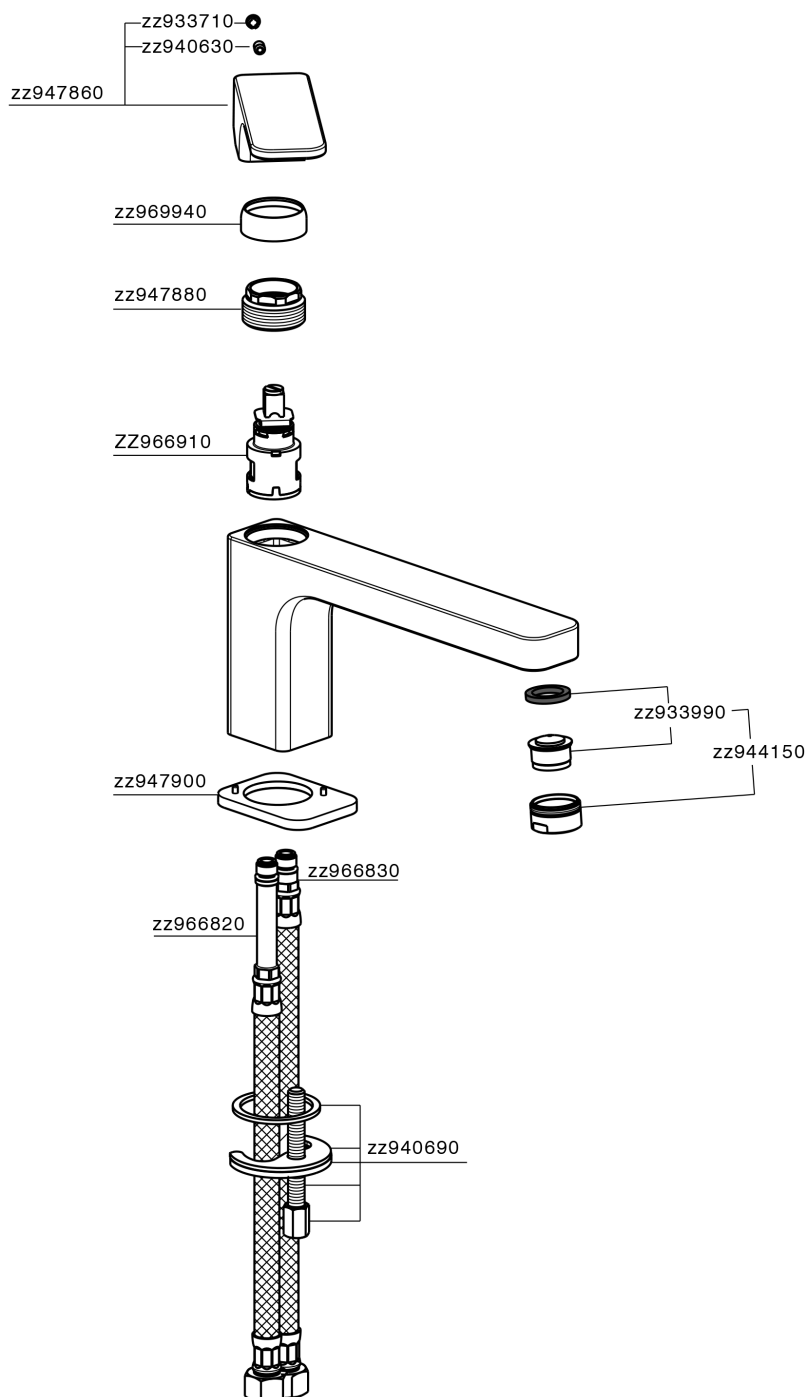


EnergySave

Thanks to the EnergySave device, only cold water will be drawn if the lever is operated in the central position, so that the water heater will not be engaged and no hot water wasted, leading to considerable savings in energy and costs. The temperature can be adjusted by rotating the lever to the left, until the desired temperature is reached.



Single lever washbasin mixer EnergySave CUBIC_CU001545



CU001545

<https://en.cisal.it/single-lever-washbasin-mixer-energysave-cubic-cu001545>

2026-02-04