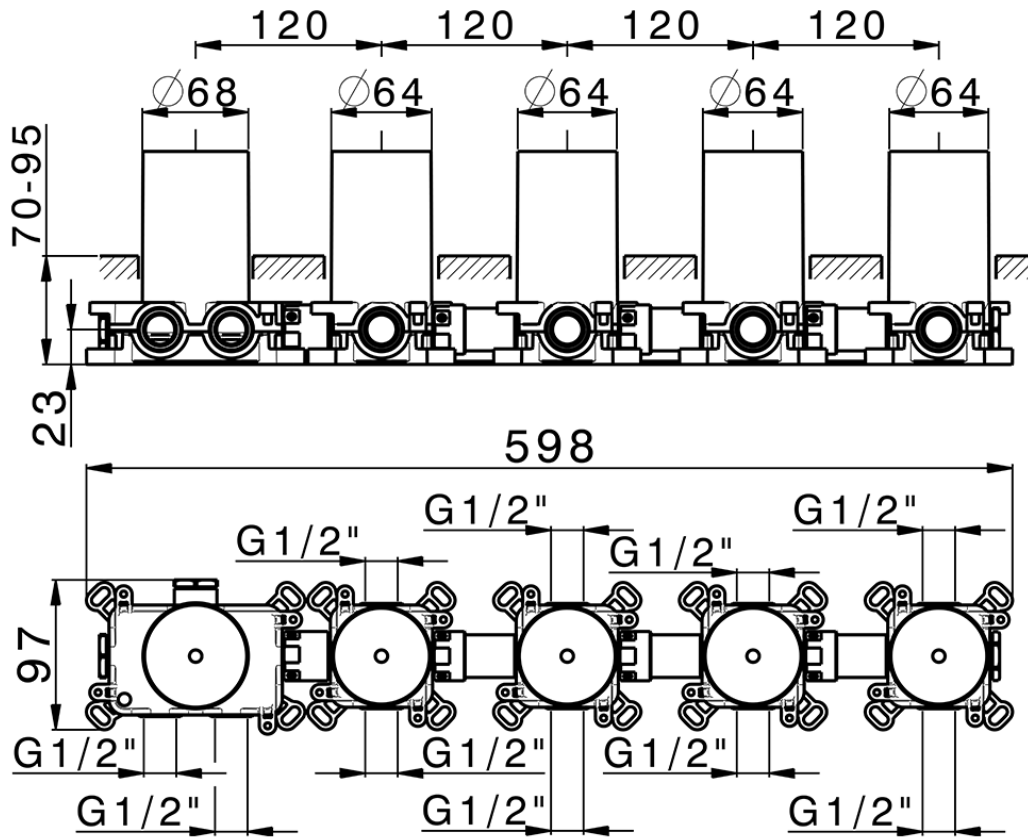


**4 Function thermostatic concealed valve PUSH&SHOWER\_ZA0G64R0**



ZA0G64R0

<https://en.cisal.it/4-function-thermostatic-concealed-valve-pushshower-za0g64r0>

2026-04-28