

Concealed stop valve TR_TR000301

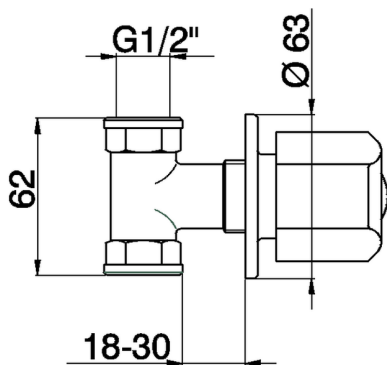
MODEL **TR000301**

Concealed stop valve, G.3/4" outlet, without handles

AVAILABLE FINISHINGS



CHARACTERISTICS



2026-04-28