

## Exposed part for con.thermo.shower mixer, 2-outlet WAVE\_WE019100



MODEL **WE019100**

Exposed part for con.thermo.shower mixer, 2-outlet, with 2 outlet deviasstop, without concealed part, For item ZA019101

### AVAILABLE FINISHINGS

-  **21** 21 Chrome
-  **2F** 2F Brushed Nickel
-  **2Q** 2Q Black Titanium

### CHARACTERISTICS

Installation **Concealed**  
 Required concealed parts **ZA019101**



### Thermostatic

The Cisal thermostatic is your personal water manager, helping you to handle, control and save water and energy.



## Concealed thermostatic shower mixer, 2-outlets CONCEALED\_ZA019101

MODEL **ZA019101**

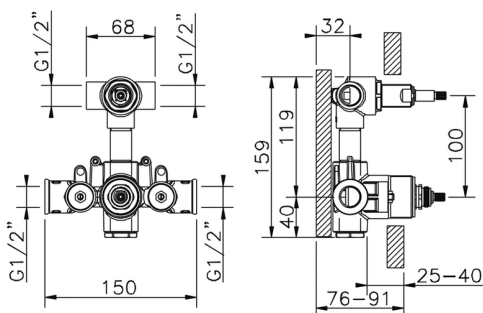
Concealed thermostatic shower mixer, 2-outlets, with 1/2" 2 outlet devia-stop cartridge, without trim kit

AVAILABLE FINISHINGS



CHARACTERISTICS

Concealed **1**  
 Cartridge Spare Parts **24.04A.PP**  
**8x20 Plus P Thermostatic Valve**



### DeviaStop

The Cisal Devia Stop technology allows to adjust the water flow and to direct it to the selected output point (overhead soaker, hand shower, etc).



### Thermostatic

The Cisal thermostatic is your personal water manager, helping you to handle, control and save water and energy.



2026-04-25