

## 1/2" stopvalve concealed part CONCEALED\_ZA003321

MODEL **ZA003321**

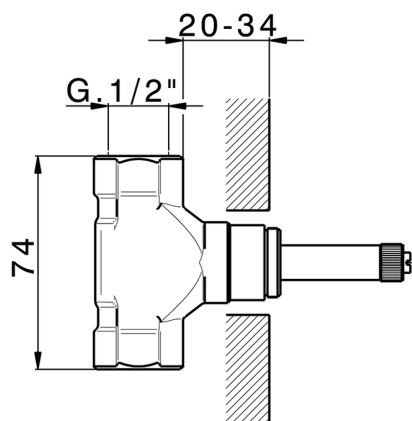
1/2" stopvalve concealed part, opening clockwise

AVAILABLE FINISHINGS

 **04** 04 Without finishing

CHARACTERISTICS

Concealed **1**



2026-06-13