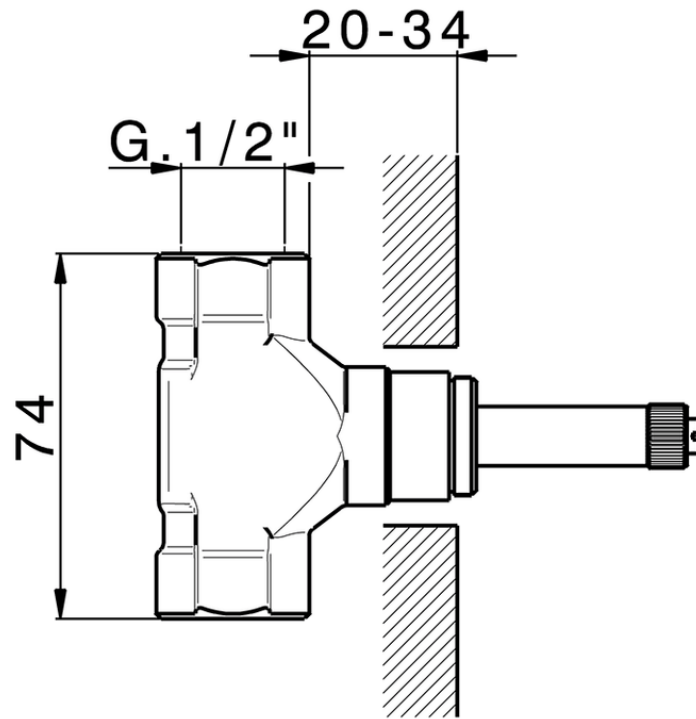


1/2 stopvalve concealed part CONCEALED_ZA003321



ZA003321

<https://en.cisal.it/1-2-stopvalve-concealed-part-concealed-za003321>

2026-04-24