

## Double towel holder BATHROOM ACCESSORIES\_SY090210

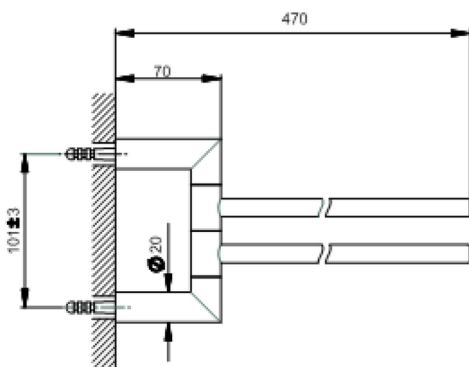
MODEL **SY090210**

Double towel holder,swivel

AVAILABLE FINISHINGS



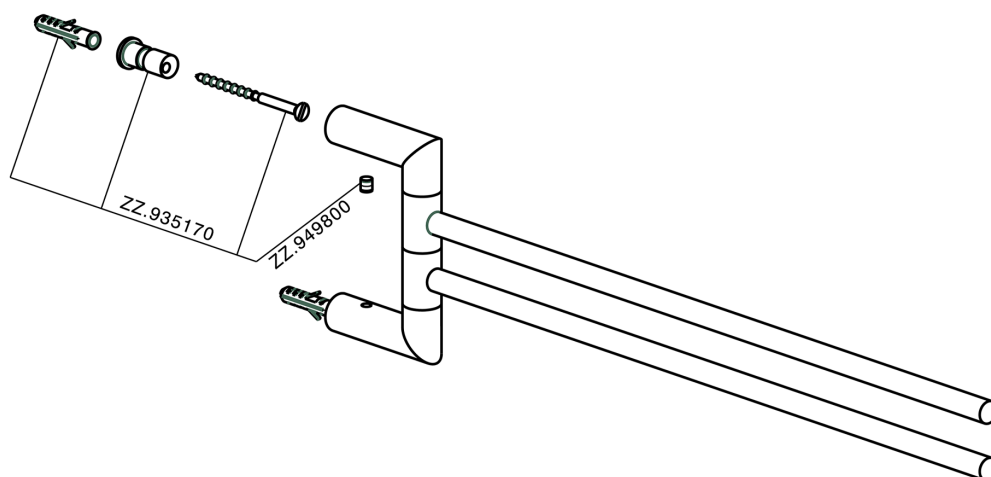
- 21** 21 Chrome
- 2B** 2B Polished Nickel
- 2F** 2F Brushed Nickel
- 2P** 2P Rose Gold
- 2Q** 2Q Black Titanium
- 40** 40 Matt Black
- 4Q** 4Q Matt White



CHARACTERISTICS



## Double towel holder BATHROOM ACCESSORIES\_SY090210



SY090210

<https://en.cisal.it/double-towel-holder-bathroom-accessories-sy090210>

2026-06-14