



Concealed rapid flow valve COMPONENTS_ZA002710

MODEL **ZA002710**

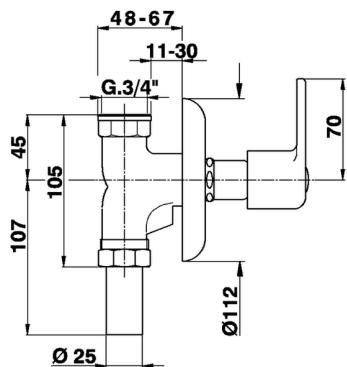
Concealed rapid flow valve, G.3/4" outlet



AVAILABLE FINISHINGS

-  **21** 21 Chrome
-  **24** 24 Gold

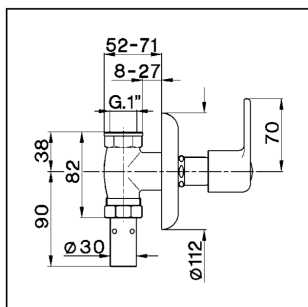
CHARACTERISTICS



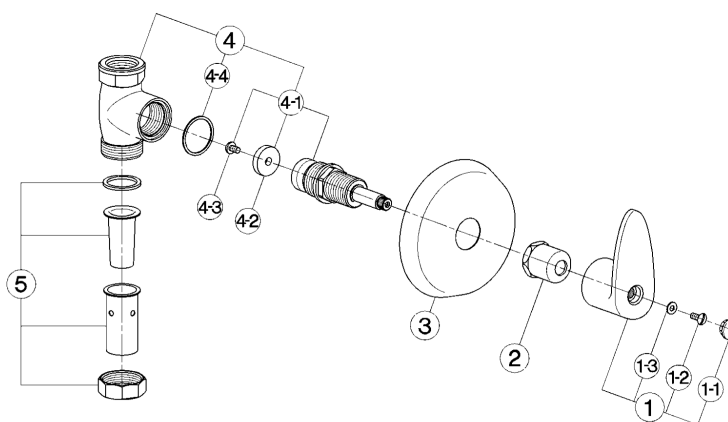
Concealed rapid flow valve COMPONENTS_ZA002710

cisal

ZA 00271



- Rubinetto passo rapido incasso per W.C.
- Concealed rapid flow valve
- WC-Ventil
- Robinet à encastrer pour W.C.



bar	PORTATA * FLOW RATE DURCHFLOSS DEBIT l/min.
0,5	14
1	20
2	25.5
3	29
4	32.5
5	48

* senza resistenza silenziosa (uscita libera)
without hydraulic resistance
ohne Widerstand
sans résistance hydraulique

NR.	DESCRIZIONE DESCRIPTION BESCHREIBUNG DESCRIPTION	N. CODICE CODE NO. WERKSNR. NR. CODE	NR.	DESCRIZIONE DESCRIPTION BESCHREIBUNG DESCRIPTION	N. CODICE CODE NO. WERKSNR. NR. CODE	NR.	DESCRIZIONE DESCRIPTION BESCHREIBUNG DESCRIPTION	N. CODICE CODE NO. WERKSNR. NR. CODE
1	Leva passo rapido Lever W.C. Hebel - Schnelldurchlauf Levier robinet WC	ZZ 90320 0	4	Rubinetto passo rapido incasso 3/4" Concealed rapid flow 3/4" WC - Ventil 3/4" Robinet W.C. 3/4"	ZZ 92762 0	5	Codulo completo per passo rapido 3/4" Connection for rapid flow 3/4" Verbindungsstück pass. zu WC-Ventil 3/4" Ecrrou pour robinet WC 3/4"	ZZ 92763 0
1-1	Piacchetta a scatto per maniglia "F" - "P" Cap for handle "F" - "P" Abdeckkappe l/Griff "F" - "P" Plaque cache - vis crois. "F" - "P"	ZZ 92608 0	4	Rubinetto passo rapido incasso 1" Concealed rapid flow 1" WC - Ventil 1" Robinet W.C. 1"	ZZ 92765 0	5	Codulo completo per passo rapido 1" incasso Connection for rapid flow 1" Verbindungsstück pass. zu WC-Ventil 1" Ecrrou pour robinet WC 1"	ZZ 92764 0
1-2	Vite M.4,5x10 tb. tc. zigrinata Screw M.4,5x10 Schraube M.4,5x10 Vis M.4,5x10	ZZ 92609 0	4-1	Vitome per passo rapido incasso Rapid flow headvalve Oberteil UP-W.C. Ventil Tête robinet W.C.	ZZ 92782 0			
1-3	Rondella ottone 10x4,5x0,8 Ring in brass 10x4,5x0,8 Unterlegscheibe 10x4,5x0,8 Joint laiton 10x4,5x0,8	ZZ 92663 0	4-2	Guarnizione NBR 90 SH. 24x6,5x5 Gasket NBR 90 SH. 24x6,5x5 Dichtung NBR 90 SH. 24x6,5x5 Joint NBR 90 SH. 24x6,5x5	ZZ 92709 0			
2	Cappuccio coprivite per passo rapido Escutcheon rapid flow valve Abdeckkappe l/WC-Ventil Rosace couvre-tête WC	ZZ 92631 0	4-3	Vite W 3/16x7,5 tb. Screw W.3/16x7,5 Schraube W3/16"x7,5 Vis W.3/16"x7,5	ZZ 92621 0			
3	Rosone per passo rapido Escutcheon rapid flow valve Rosette l/WC-Ventil Rosace - robinet WC "AR"	ZZ 92630 0	4-4	Guarnizione alluminio 32x28,2x1 Gasket aluminium 32x28,2x1 Dichtung 32x28,2x1 Joint aluminium 32x28,2x1	ZZ 92646 0			

ZA.4

ZA002710

<https://en.cisal.it/concealed-rapid-flow-valve-components-za002710>

2026-06-05