

Exposed part for con.thermo.shower valve 1-outlet ALMA_A3007300

MODEL **A3007300**

Exposed part for con.thermo.shower valve
1-outlet, stop valve, without concealed part, for items
ZA007301

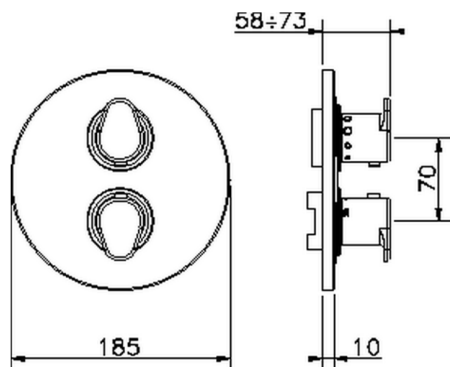


AVAILABLE FINISHINGS

-  **21** 21 Chrome
-  **2F** 2F Brushed Nickel
-  **40** 40 Matt Black

CHARACTERISTICS

Installation **Concealed**
Required concealed parts **ZA007361**
ZA007301

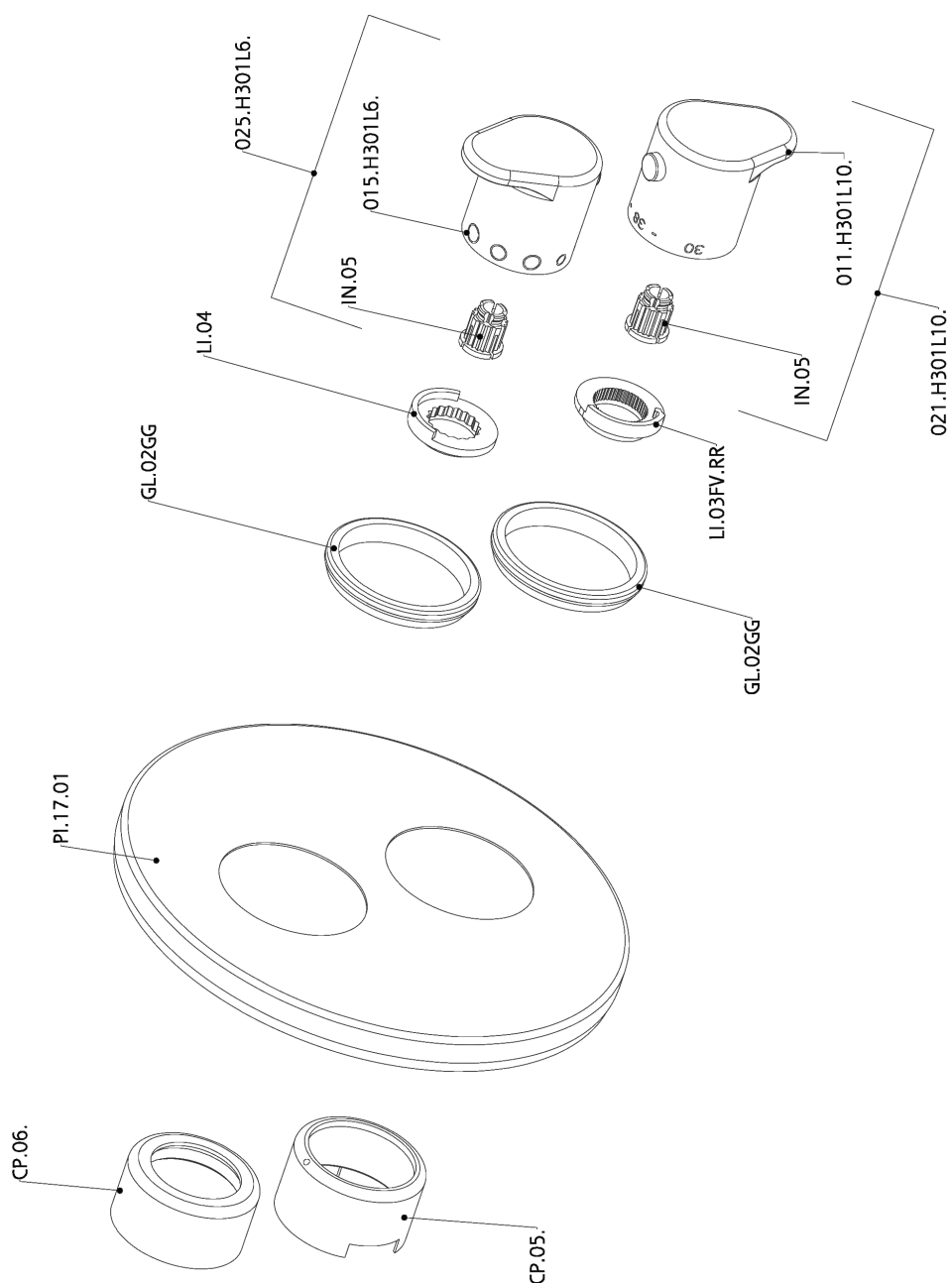


Thermostatic

The Cisal thermostatic is your personal water manager, helping you to handle, control and save water and energy.



Exposed part for con.thermo.shower valve 1-outlet ALMA_A3007300



A3007300

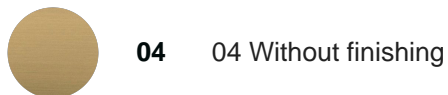
<https://en.cisal.it/exposed-part-for-con-thermo-shower-valve-1-outlet-alma-a3007300>

1-outlet Concealed thermostatic shower valve CONCEALED_ZA007361

MODEL **ZA007361**

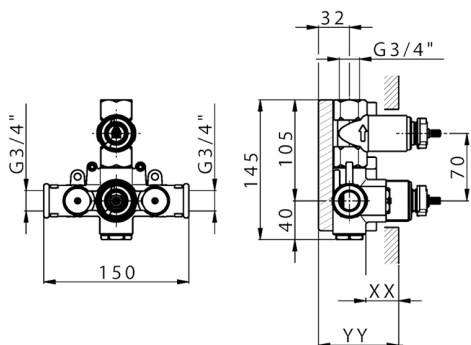
1-outlet Concealed thermostatic shower valve, stopvalve with 3/4" outlet, without trim kit

AVAILABLE FINISHINGS



CHARACTERISTICS

Concealed **1**
 Cartridge Spare Parts **23.51A.HF**
HF Thermostatic Valve



Piastra/Plate/Plaque/Platte/Placa

2-3mm: XX 25-40 YY 76-91

10 mm: XX 16-31 YY 65-80



Thermostatic

The Cisal thermostatic is your personal water manager, helping you to handle, control and save water and energy.



Concealed thermostatic shower valve, 1-outlet CONCEALED_ZA007301

MODEL **ZA007301**

Concealed thermostatic shower valve,
1-outlet, Stopvalve with 1/2" outlet, without trim kit

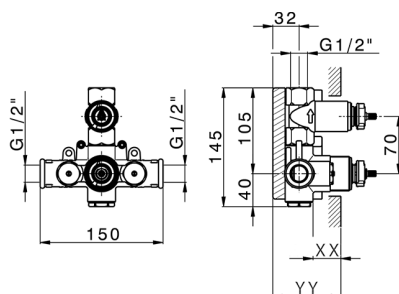


AVAILABLE FINISHINGS



CHARACTERISTICS

Concealed **1**
Cartridge Spare Parts **24.04A.PP**
8x20 Plus P Thermostatic Valve



Piastra/Plate/Plaque/Platte/Placa
2-3mm: XX 25-40 YY 76-91
10mm: XX 16-31 YY 65-80



Thermostatic

The Cisal thermostatic is your personal water manager, helping you to handle, control and save water and energy.



2026-06-14