

Cover Part for 2 Function Concealed Thermo Valve WELLNESS_X100R200

MODEL **X100R200**

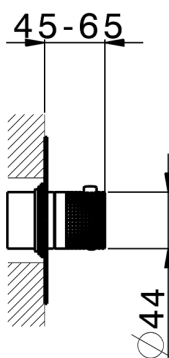
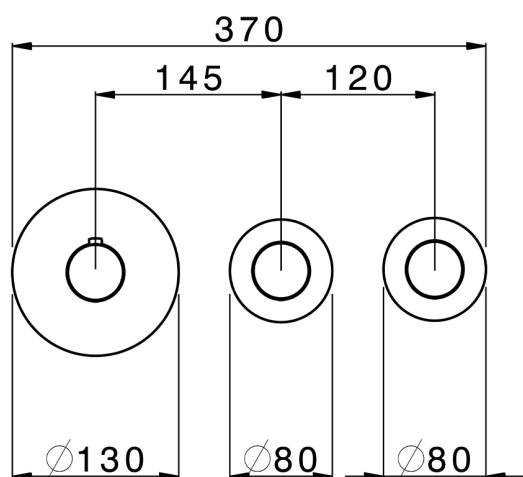
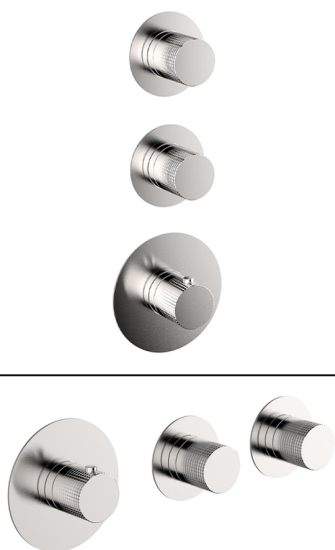
Cover Part for 2 Function Concealed Thermo Valve, for item ZA00R200 horizontal installation, for item ZA00V200 vertical installation, Inox AISI 316L

AVAILABLE FINISHINGS

-  **D1** D1 Brushed Inox
-  **5H** 5H Dark Brass Brushed
-  **5L** 5L Brushed Black Titanium
-  **5N** 5N Brushed Rose Gold

CHARACTERISTICS

Installation **Concealed**
 Required concealed parts **ZA00V200**
ZA00R200

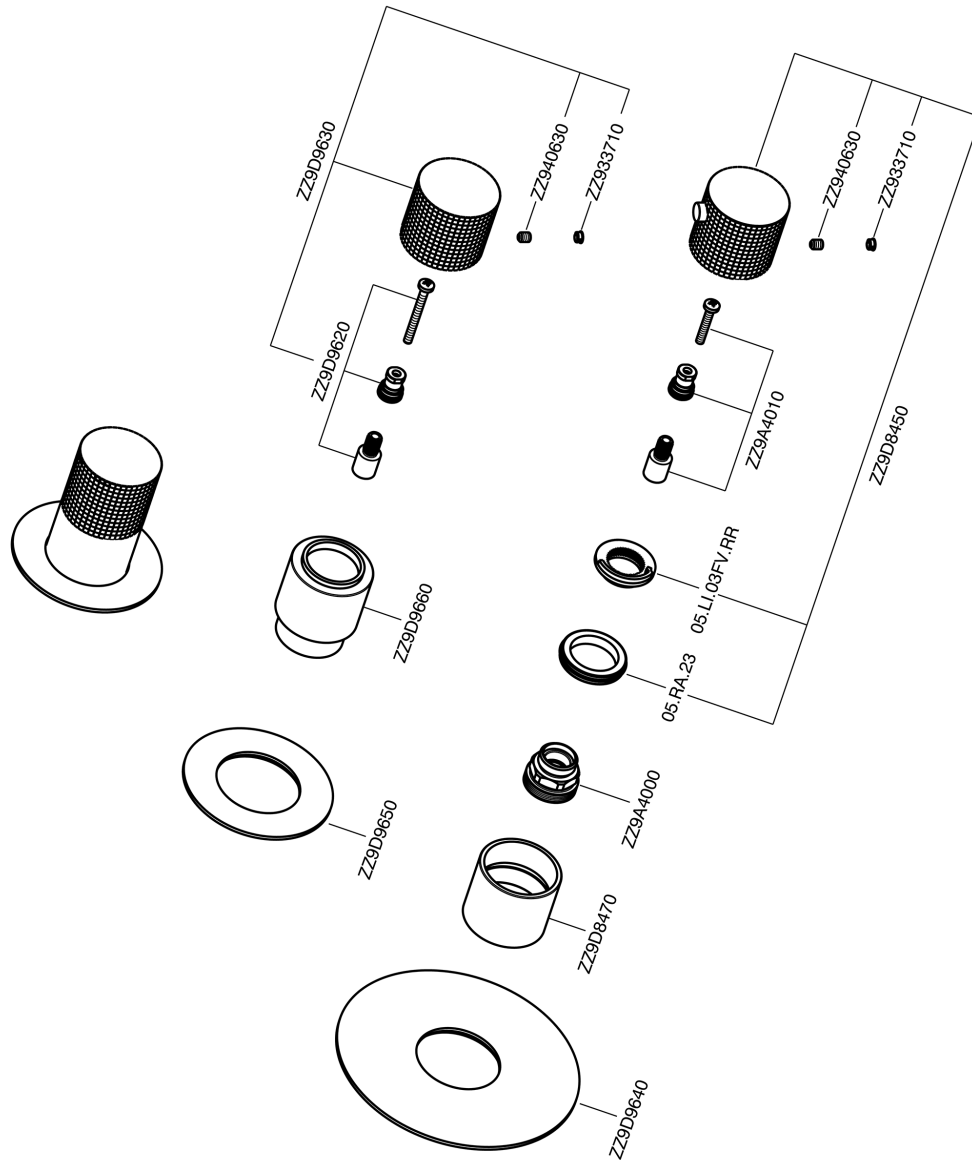


Thermostatic

The Cisal thermostatic is your personal water manager, helping you to handle, control and save water and energy.



Cover Part for 2 Function Concealed Thermo Valve WELLNESS_X100R200



X100R200

<https://en.cisal.it/cover-part-for-2-function-concealed-thermo-valve-wellness-x100r200>

2 Function Concealed Thermostatic Valve CONCEALED_ZA00V200

MODEL **ZA00V200**

2 Function Concealed Thermostatic Valve

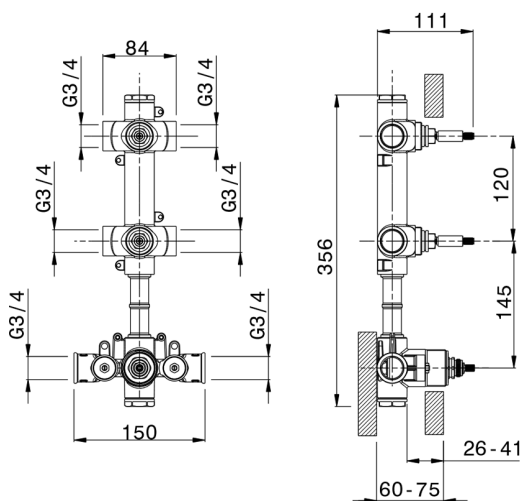
AVAILABLE FINISHINGS



04 04 Without finishing

CHARACTERISTICS

Concealed **1**
 Cartridge Spare Parts **23.51A.HF**
HF Thermostatic Valve



Thermostatic

The Cisal thermostatic is your personal water manager, helping you to handle, control and save water and energy.

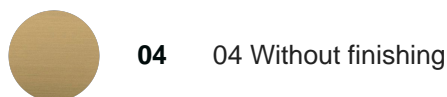


2 Function Concealed Thermostatic Valve CONCEALED_ZA00R200

MODEL **ZA00R200**

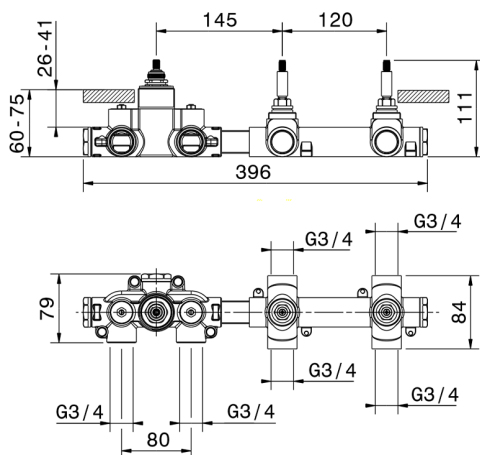
2 Function Concealed Thermostatic Valve

AVAILABLE FINISHINGS



CHARACTERISTICS

Concealed **1**
 Cartridge Spare Parts **23.51A.HF**
HF Thermostatic Valve



Thermostatic

The Cisal thermostatic is your personal water manager, helping you to handle, control and save water and energy.



2026-04-04