

2 hole Sink mixer KITCHEN_BA000720

MODEL **BA000720**

2 hole Sink mixer, without automatic pop-up waste, swivel spout

AVAILABLE FINISHINGS

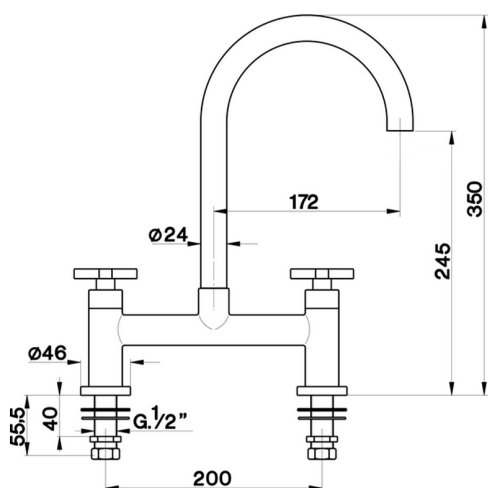


21 21 Chrome



2A 2A Satin Brushed Nickel

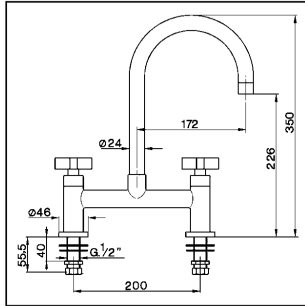
CHARACTERISTICS



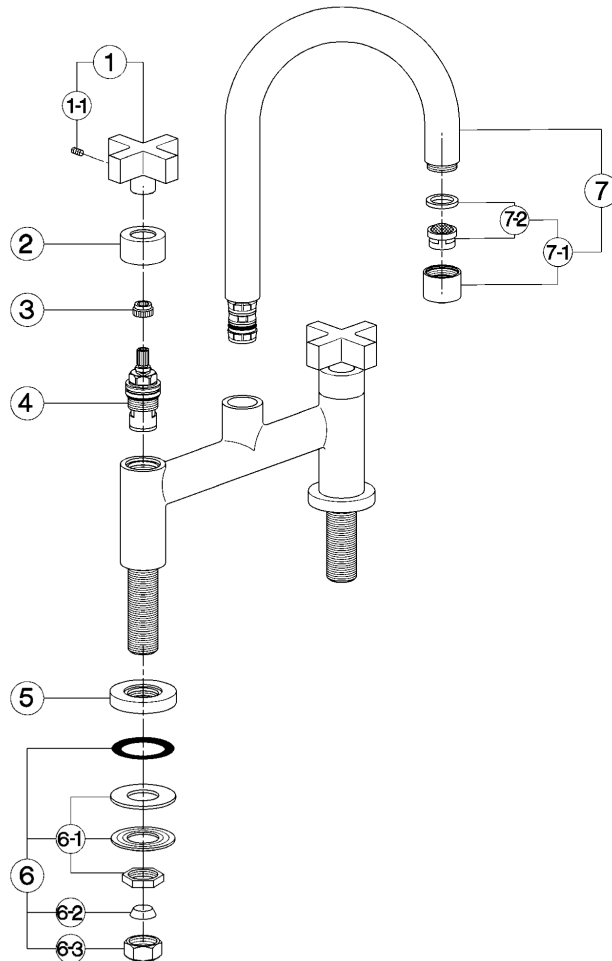
2 hole Sink mixer KITCHEN_BA000720

cisal

BA 00072



- Gruppo lavello a ponte
- Deck-mounted sink mixer
- Stand-Spültischbatterie
- Mélangeur évier sur gorge



bar	PORTATA BOCCA DI EROGAZIONE * SPOUT FLOW RATE DURCHFLOSS WANNENEINLAUF DEBIT BEC DEVERSEUR l/min.
0.5	6
1	8.5
2	12.5
3	15
4	17.5
5	19.5

* con resistenza silenziosa della classe di portata A (15 l/min. a 3 bar)
with hydraulic resistance of flow rate class A (15 l/min. at 3 bar)
mit geräuscharmen Widerstand der Durchflussklasse A (15 l/min. bei 3 bar)
avec aérateur classe A (15 l/min. à 3 bar)

NR.	DESCRIZIONE DESCRIPTION BESCHREIBUNG DESCRIPTION	N. CODICE CODE NO. WERKSNR. NR. CODE	NR.	DESCRIZIONE DESCRIPTION BESCHREIBUNG DESCRIPTION	N. CODICE CODE NO. WERKSNR. NR. CODE	NR.	DESCRIZIONE DESCRIPTION BESCHREIBUNG DESCRIPTION	N. CODICE CODE NO. WERKSNR. NR. CODE
1	Maniglia "BA" per monolori Handle "BA" for single hole mixer Griff "BA" 1/Einloch-Batterien Crosillon "BA" pour mélangeur monolori	ZZ 93289 0	6	Set installazione gruppo a ponte Installation set deck-mounted sink mixer Befestigungsset Set installation	ZZ 93360 0	7-2	Cartuccia per aeratore M. 22x1 Cascade Mousseur cartridge M.22x1 Cascade Kart. 1/Perlator M.22x1 Cascade Cartouche x mousseur M.22x1 Cascade	ZZ 93339 0
1-1	Grano punta piena inox M.4x4 Screw-stainless steel M.4x4 Mädenschraube M.4x4 Vis speciale inox M.4x4	ZZ 93328 0	6-1	Set installazione rubinetto a colonna Installation set deck-mounted tap Befestigungsset Set installation	ZZ 92740 0			
2	Cappuccio cagnivite "BA" Escutcheon "BA" Abdeckklappe "BA" Rosace couvre-tête "BA"	ZZ 93327 0	6-2	Guarnizione conica NBR 90 SH. 17,8x13,6x6,8 Gasket NBR 90 SH. 17,8x13,6x6,8 Dichtung NBR 90 SH. 17,8x13,6x6,8 Joint conique NBR 90 SH. 17,8x13,6x6,8	ZZ 92688 0			
3	Riduzione brocciata completa Complete broached reduction piece Verkürzung Raueinwerkzeug komplett Réduction avec brochage complète	ZZ 93330 0	6-3	Calotta 1/2" H.10 Ø13,5 Nut 1/2" H.10 Ø13,5 Mutter 1/2" H.10 Ø13,5 Ecou 1/2" H.10 Ø13,5	ZZ 92612 0			
4	Vitone ceramico 1/2" DX 90° Ceramic headvalve 1/2" right 90° Keramikoberteil 1/2" - rechts - 90° Tête céram. 1/2" droite 90°	ZZ 92907 0	7	Canna alta Ø24 Interasse 172 Swivling spout 172 Ø24 Auslauf-Rohr-U-172 Ø24 Bec orientable 172 Ø24	ZZ 93285 0			
5	Rosone per bocca incasso Escutcheon for built-in spout Rosette f. UP Auslauf Rosace pour bec à encastrer	ZZ 93331 0	7-1	Aeratore M.22x1 IA Cascade Mousseur M.22x1 IA Cascade Perlator M.22x1 IA Cascade Mousseur M.22x1 IA Cascade	ZZ 93283 0			

BA.13

BA000720

<https://en.cisal.it/2-hole-sink-mixer-kitchen-ba000720>

2026-04-09