

## Deck-mounted 4-hole bath mixer ARCANA CERAMIC\_AC000260

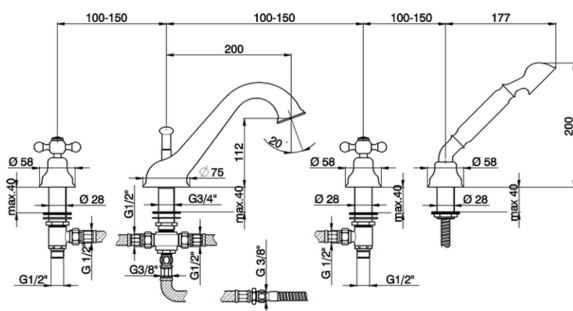
MODEL **AC000260**

Deck-mounted 4-hole bath mixer, 2 outlet diverter, Arcana one spray handshower, 175 cm Brass flexible hose



### AVAILABLE FINISHINGS

-  **21** 21 Chrome
-  **24** 24 Gold
-  **26** 26 Old Copper
-  **27** 27 Old Bronze
-  **2A** 2A Satin Brushed Nickel
-  **74** 74 Chrome/Gold



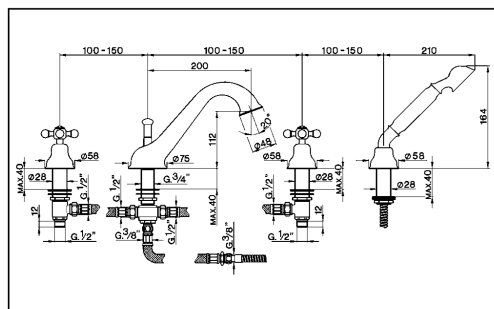
### CHARACTERISTICS



## Deck-mounted 4-hole bath mixer ARCANA CERAMIC\_AC000260

**cisal**

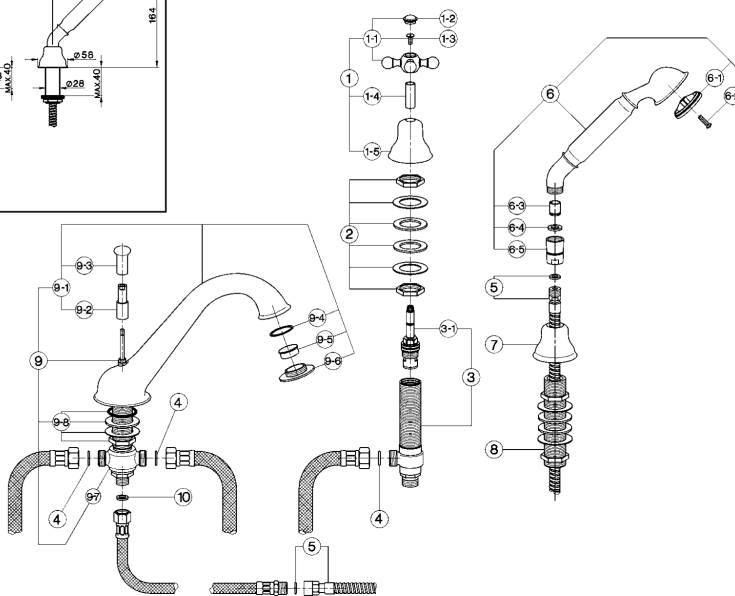
### AC 00026 (AC 00025)



- Batteria bordo vasca a 4 fori
- Deck-mounted 4-hole bath mixer
- Badebatterie - 4 Loch -
- Mélangeur B/D 4-trous sur gorge

| bar | PORTATA BOCCA DI EROGAZIONE *<br>SPOUT FLOW RATE<br>DURCHFLOß WANNENEINLAUF<br>DÉBIT BEC DEVERSEUR<br>l/min. |  |
|-----|--|--|
| 0,5 | 21,5   |  |
| 1   | 31,5   |  |
| 2   | 44,5   |  |
| 3   | 55   |  |
| 4   | 67,5   |  |
| 5   | /  |  |

\* con rompigetto  
with antispash  
mit Strahlregler  
avec brise-jet



| NR. | DESCRIZIONE<br>DESCRIPTION<br>BESCHREIBUNG<br>DESCRIPTION   | N. CODICE<br>CODE NO.<br>WERKSNR.<br>NR. CODE | NR. | DESCRIZIONE<br>DESCRIPTION<br>BESCHREIBUNG<br>DESCRIPTION  | N. CODICE<br>CODE NO.<br>WERKSNR.<br>NR. CODE | NR. | DESCRIZIONE<br>DESCRIPTION<br>BESCHREIBUNG<br>DESCRIPTION   | N. CODICE<br>CODE NO.<br>WERKSNR.<br>NR. CODE |
|-----|---|---|-----|--|---|-----|---|---|
| 1   | Maniglia con cappuccio "AR"<br>Handle with escutcheon "AR"<br>Griff + Abdeckkappe "AR"<br>Crosillon + rosace "AR"   | ZZ 90093 0                                    | 6   | Doccia per batteria vasca "AR"<br>Handshower for bath mixer "AR"<br>Handbrause-WB-"AR"<br>Douchette "AR" sur gorge   | ZZ 90336 0                                    | 9-1 | Bocca batteria vasca "AC"<br>Spout bath mixer "AC"<br>Auslauf-WB-"AC"<br>Bec bain/douche "AC"   | ZZ 90944 0                                    |
| 1-1 | Maniglia "AR" con vite e piacchetta<br>Handle with screw and plate "AR"<br>Griff "AR" mit Schraube und Abdeckkappe<br>Crosillon avec vis et plaque "AR"                     | ZZ 90307 0                                    | 6-1 | Diffusore doccia "AR"<br>Spray-kit handshower "AR"<br>Einsatz 1/Brause "AR"<br>Diffuseur douchette "AR"  | ZZ 90544 0                                    | 9-2 | Vite bloccaggio bocca batteria vasca<br>Screw for spout<br>Befestigungsschraube<br>Vis x bec sur gorge  | ZZ 92648 0                                    |
| 1-2 | Piacchetta a vite maniglia "AR"<br>Cap for handle "AR"<br>Abdeckkappe "AR" Griff<br>Plaque cache - vis crois. "AR"  | ZZ 92617 0                                    | 6-2 | Vite di fissaggio diffusore per doccia in ottone<br>Fixing screw for spray-kit handshower<br>Befestigungsschraube 1.Einsatz 1.Br. in Messing<br>Vis fixation diffuseur pour douchette en laiton  | ZZ 92640 0                                    | 9-3 | Pomolo per deviazione bocca batteria vasca<br>Knob for bath spout<br>Zugknopf Umsteller<br>Pommeau x inverseur  | ZZ 92649 0                                    |
| 1-3 | Vite M.4,5x10 lb. tc. zigrinata<br>Screw M.4,5x10<br>Schraube M.4,5x10<br>Vis M.4,5x10  | ZZ 92609 0                                    | 6-2 | Vite di fissaggio diffusore per doccia in ABS<br>Fixing screw for spray-kit ABS handshower<br>Befestigungsschraube 1. Einsatz 1.Brause in ABS<br>Vis de fixation diffuseur pour douchette en ABS | ZZ 93401 0                                    | 9-4 | Guarnizione NBR 70 SH. 32x28,2x1<br>Dichtung NBR 70 SH. 32x28,2x1<br>Joint NBR 70 SH. 32x28,2x1   | ZZ 92995 0                                    |
| 1-4 | Tubetto copriasta "AR" H.31<br>Tube "AR" H.31<br>Abdeckkappe Oberteil "AR" H.31<br>Tube couvre-lête "AR" H.31   | ZZ 92620 0                                    | 6-3 | Valvola anti-ritorno Ø15 per doccia<br>Back-flow valve Ø15<br>Durchflussverhinderer Ø15<br>Clapet anti-retour Ø15  | ZZ 92956 0                                    | 9-5 | Rompigetto per bocca batteria vasca<br>Antispash for bath spout<br>Strahlregler<br>Brise-jet pour bain/douche   | ZZ 92897 0                                    |
| 1-5 | Cappuccio a campana "AR"<br>Escutcheon "AR"<br>Abdeckkappe "AR"<br>Rosace "AR"  | ZZ 92598 0                                    | 6-4 | Guarnizione fibra 18,5x11x2<br>Gasket rubber 18,5x11x2<br>Fiberdichtung 18,5x11x2<br>Joint en fibre 18,5x11x2  | ZZ 92714 0                                    | 9-6 | Bordino bocca batteria vasca "AR"<br>Overfill bath spout "AR"<br>Kante 1/WB - Auslauf "AR"<br>Garniture B/D "AR"  | ZZ 92626 0                                    |
| 2   | Set installazione batteria lavabo<br>Installation set basin mixer<br>Befestigungssat<br>Set installation  | ZZ 92756 0                                    | 6-5 | Raccordo conico doccia batteria vasca "AR"<br>Connection for shower "AR"<br>Anschluss "AR"<br>Raccord douche s/gorge "AR"  | ZZ 90337 0                                    | 9-7 | Crociera bocca batteria bordo vasca completa<br>Cross connection for bath mixer<br>Verbindungsstueck pass. zu SU/AR/AC 26<br>Raccord a croix pour bec sur gorge | ZZ 92914 0                                    |
| 3   | Piantana lavabo "AC" (se montata crociera)<br>Tail piece-basin mixer "AC" (mounted conn)<br>Unterteil-WF-"AC" (montiert Kreuzstueck)<br>Corp lateral "AC" (raccord à croix) | ZZ 92896 0                                    | 7   | Cappuccio supporto doccia bordo vasca "AR"<br>Escutcheon shower "AR"<br>Abdeckkappe "AR"<br>Rosace douche "AR"   | ZZ 92599 0                                    | 9-8 | Set installazione bocca batteria bordo vasca<br>Installation set for deck-mounted spout<br>Befestigungssat<br>Set installation                                  | ZZ 92975 0                                    |
| 3-1 | Vitone ceramico DX per batterie "AC"<br>Ceramic headvalve 1/2" right "AC"-long<br>Keramikoberteil 1/2"-rechts "AC"-lang<br>Tête céramique 1/2" droite "AC"-longue           | ZZ 92859 0                                    | 8   | Supporto doccia batteria bordo vasca "AR"<br>Deck-mounted handshower support "AR"<br>Brausehalter "AR"<br>Support douche "AR"  | ZZ 90104 0                                    | 10  | Guarnizione fibra 3/8"<br>Gasket rubber 3/8"<br>Fiberdichtung 3/8"<br>Joint en fibre 3/8"   | ZZ 92696 0                                    |
| 4   | Guarnizione fibra 18,5x11x2<br>Gasket rubber 18,5x11x2<br>Fiberdichtung 18,5x11x2<br>Joint en fibre 18,5x11x2   | ZZ 92714 0                                    | 9   | Bocca batteria vasca "AC" con deviazione<br>Spout bath mixer "AC" with diverter<br>Auslauf-WB-"AC" mit Umstellung<br>Bec bain/douche "AC" avec inverseur   | ZZ 92048 0                                    |     |   |   |
| 5   | Flessibile 175 cm Ø14 3/8" x M.15x1<br>Flex 175 cm Ø14 3/8" M.15x1<br>Brausschlauch 175 cm Ø14 3/8" x M.15x1<br>Flex 175 cm Ø14 3/8" x M.15x1                               | ZZ 92757 0                                    | 9   | Bocca batteria vasca "AC" senza deviazione<br>Spout bath mixer "AC" without diverter<br>Auslauf-WB-"AC" ohne Umstellung<br>Bec bain/douche "AC" sans inverseur                                   | ZZ 92054 0                                    |     |   |   |

AC.2

AC000260

<https://en.cisal.it/deck-mounted-4-hole-bath-mixer-arcana-ceramic-ac000260>

2026-06-16