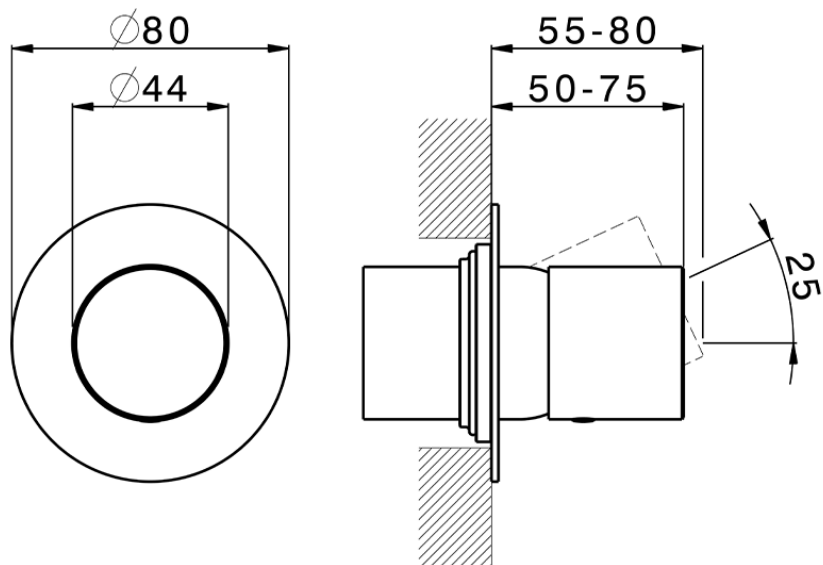


**Exposed part for concealed S.L. shower valve SMOOTH X32\_X3003000**

X3003000

<https://en.cisal.it/exposed-part-for-concealed-s-l-shower-valve-smooth-x32-x3003000>



Piastra/Plate/Plaque/Platte/Placa

2-3mm: XX 27-47 YY 54-74

10mm: XX 16-40 YY 43-68

ZA005301

<https://en.cisal.it/concealed-single-lever-shower-mixer-concealed-za005301>



Piastra/Plate/Plaque/Platte/Placa

2-3mm: XX 27-47 YY 54-74

10mm: XX 16-40 YY 43-68

ZA005300

<https://en.cisal.it/concealed-single-lever-shower-mixer-concealed-za005300>

2026-04-06