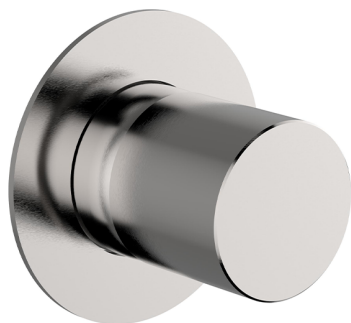


Exposed part for concealed S.L. shower valve SMOOTH X32_X3003000

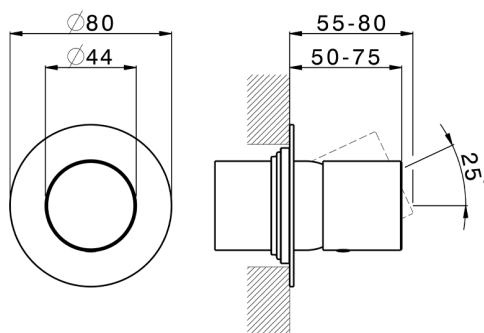
MODEL **X3003000**

Exposed part for concealed S.L. shower valve, without concealed part, for item ZA005300-ZA005301, with smooth handle, Inox AISI 316L



AVAILABLE FINISHINGS

-  **D1** D1 Brushed Inox
-  **5H** 5H Dark Brass Brushed
-  **5L** 5L Brushed Black Titanium
-  **5N** 5N Brushed Rose Gold

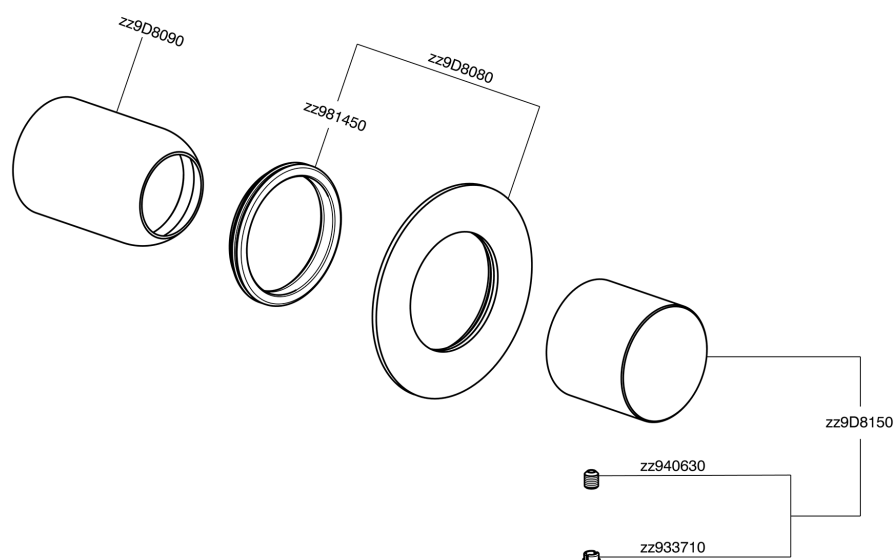


CHARACTERISTICS

Installation **Concealed**
 Required concealed parts **ZA005301**
ZA005300



Exposed part for concealed S.L. shower valve SMOOTH X32_X3003000



X3003000

<https://en.cisal.it/exposed-part-for-concealed-s-l-shower-valve-smooth-x32-x3003000>

Concealed single lever shower mixer CONCEALED_ZA005301

MODEL **ZA005301**

Concealed single lever shower mixer, 1/2" concealed shower, without trim kit, with noise reducers

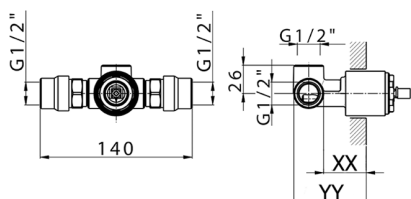


AVAILABLE FINISHINGS



CHARACTERISTICS

Concealed **1**
 Cartridge Spare Parts **ZZ94035000**
35 mm Cartridge



Piastra/Plate/Plaque/Platte/Placa
 2-3mm: XX 27-47 YY 54-74
 10mm: XX 16-40 YY 43-68



Concealed single lever shower mixer CONCEALED_ZA005300



MODEL **ZA005300**

Concealed single lever shower mixer, 1/2" concealed shower, without trim kit

AVAILABLE FINISHINGS



CHARACTERISTICS

Concealed **1**
 Cartridge Spare Parts **ZZ94035000**
35 mm Cartridge



Piastra/Plate/Plaque/Platte/Placa
 2-3mm: XX 27-47 YY 54-74
 10mm: XX 16-40 YY 43-68



2026-04-26