

Free Standing Progressive Shower Column WELLNESS_XI005110

MODEL **XI005110**

Free Standing Progressive Shower Column, 2 outlet diverter, for Indoor/Outdoor use, D.200 mm INOX round showerhead, INOX D.26 mm minimalistic one spray handshower, INOX AISI 316L

AVAILABLE FINISHINGS

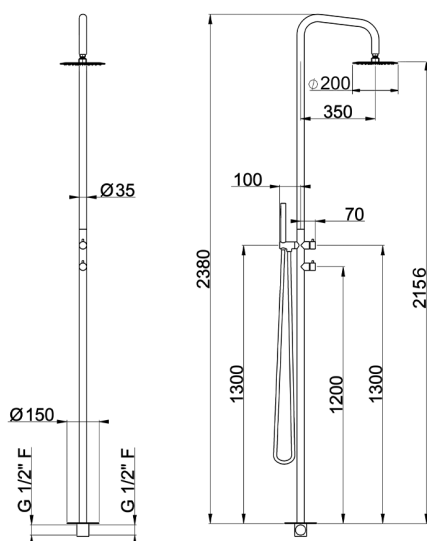


D1 D1 Brushed Inox

CHARACTERISTICS

Cartridge Spare Parts **ZZ9E521000 - ZZ9E523000**

25 mm Progressive single-lever cartridge



2026-04-28